

**57" CARRIE
ACRYLIC DOUBLE
ROLL TOP TUB**

Cat. No.
ATDR7H59B



L: 57"
W: 31"
H: 24"

Water depth: 18" to top of tub
Water depth: 13-1/2" to overflow

The following is recommended for ATDR7H tubs:

- Rim-Mount Faucets: part #4046 or #4045
- Use with Straight Bath Supplies: part #5577
- Leg tub drain: part #5599LT or 5599TS



Overflow can be drilled .
With overflow drilled this tub
requires drain **5599**.
**Tubs that have been
drilled with overflow are
"special order" and
are not returnable.**

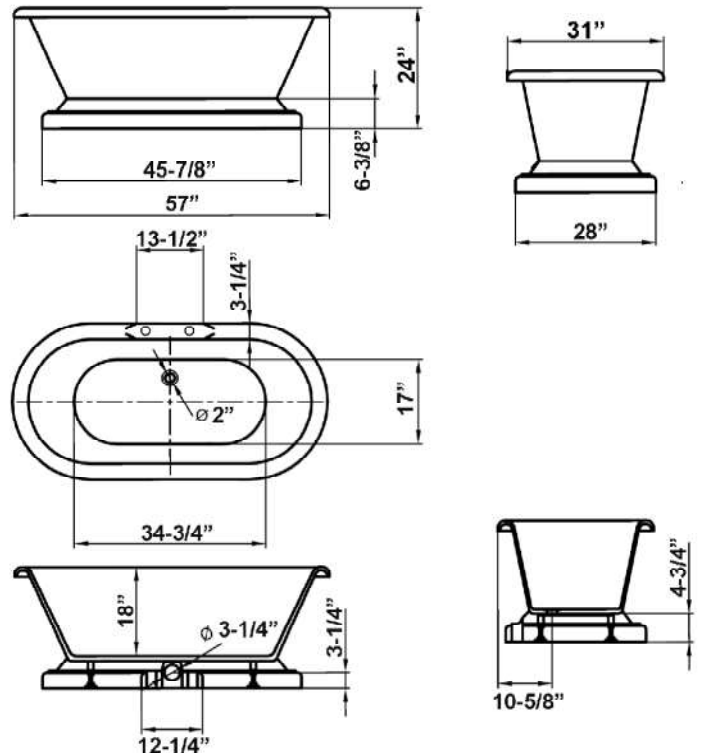
Gallon Capacity : 45
Shipping Weight: 217 lbs.
Empty Weight: 107 lbs.
Filled Weight: 483 lbs.

Features:

- ▶ Interior and exterior walls 5mm acrylic sheets
- ▶ Space between walls completely filled with fiberglass & resin
- ▶ 7" centers in tub deck
- ▶ No overflow
- ▶ Tub rim is 3" wide
- ▶ Includes base
- ▶ IAPMO Certified
- ▶ Built-in adjusters included
- ▶ Tub is thoroughly inspected before shipment



Custom Colors Available (inside of tub is always white enamel):
Painted bathtubs are considered "special order" and are not returnable
\$160 Bisque or Black \$250 Designer Color



Dimensions of fixture are nominal and specifications subject to change without notice.