

**CELESTE
67" ACRYLIC
FREESTANDING TUB**

Cat. No.
ATDN67



L: 66-3/4"
W: 29"
H: 22-7/8"

Water depth: 17-3/8" to top of tub

Features:

- ▶ Acrylic construction for lighter weight
- ▶ Interior and exterior walls acrylic sheets
- ▶ Freestanding tub
- ▶ No faucet holes
- ▶ No overflow
- ▶ Tub is thoroughly inspected before shipment



Custom Colors Available (inside of tub is always white enamel):
Painted bathtubs are considered "special order" and are not returnable
\$160 Bisque or Black \$250 Designer Color

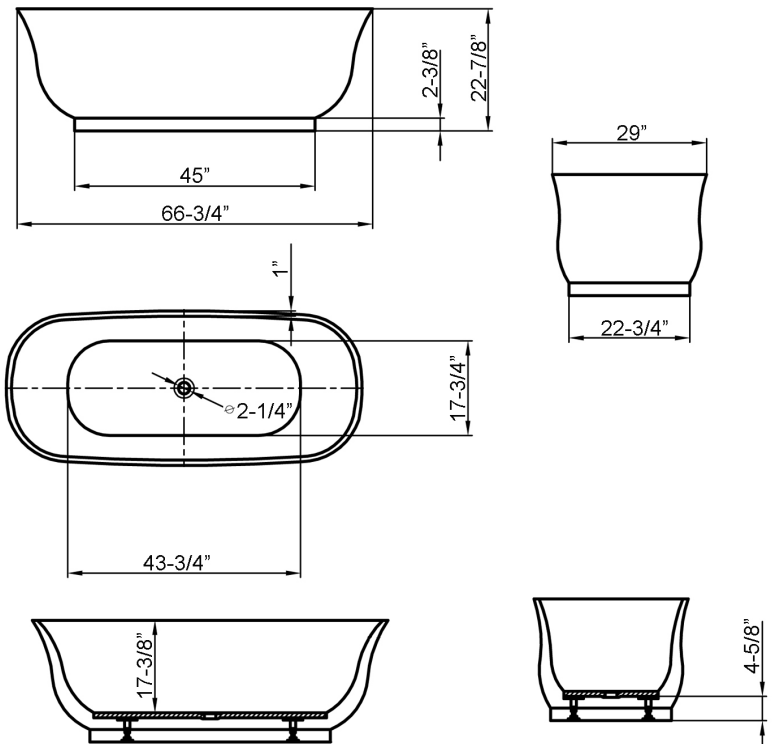
The following is recommended for ATDN67- tubs:

- Faucets: part #4602, 4604 or 7082
- Rigid, freestanding supplies: part #4502
- Leg tub drain: part #5599LT or 5599TS



Overflow can be drilled .
With overflow drilled this tub requires drain 5599PD.
Tubs that have been drilled with overflow are "special order" and are not returnable

Gallon Capacity: 66
Shipping Weight: 182 lbs.
Empty Weight: 82 lbs.
Filled Weight: 633 lbs.



Dimensions of fixture are nominal and specifications subject to change without notice.