

**KINGSTON  
67" ACRYLIC  
SLIPPER TUB**

Cat. No.  
AS7H67LP



L: 66-1/2"  
W: 28-3/4"  
H: 24-3/4" - 31-1/2"

Water depth: 19" to top of tub

**The following is recommended for AS7H67LP tubs:**

- Rim-mounted faucets: part #4601 or 4201
- Straight bath supplies: part #5577
- Leg tub drain: part #5599

Gallon Capacity: 52  
Shipping Weight: 425 lbs.  
Empty Weight: 200 lbs.  
Filled Weight: 634 lbs.



**WARNING:** This product can expose you to chemicals, including Toluene and Styrene, which are known to the state of California to cause cancer and birth defects or other reproductive harm.  
For more information go to [www.P65Warnings.ca.gov](http://www.P65Warnings.ca.gov)

**Features:**

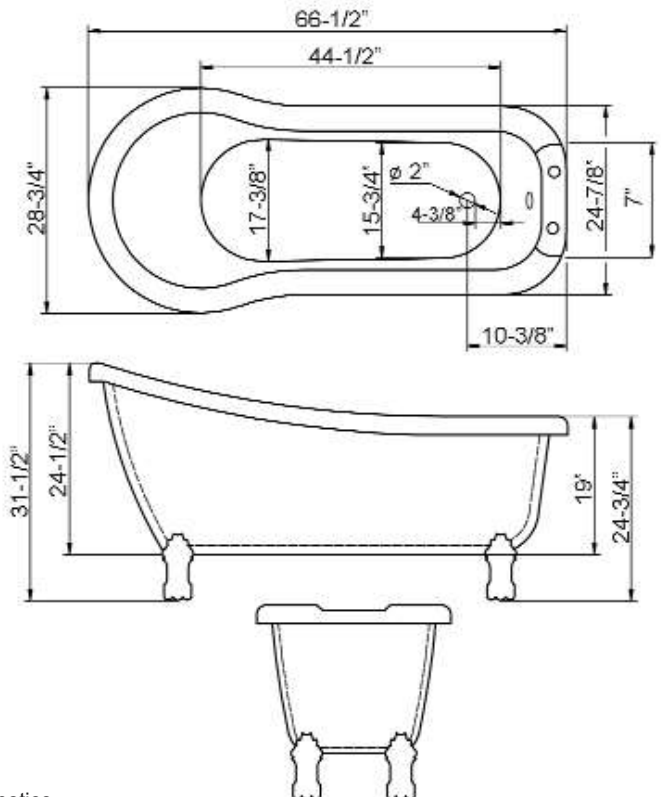
- ▶ Interior and exterior walls acrylic sheets
- ▶ Space between walls partially filled with fiberglass & resin
- ▶ Aluminum lion paw feet available in 4 finishes
- ▶ 7" centers in tub deck and overflow
- ▶ Tub feet are attached and leveled before shipment.
- ▶ Tub is thoroughly inspected before shipment



**Foot Finishes:**

**BN** Brushed Nickel                      **PB** Polished Brass  
**CP** Polished Chrome                    **ORB** Oil Rubbed Bronze

**Custom Colors Available** (inside of tub is always white enamel):  
Painted bathtubs are considered "special order" and are not returnable  
\$160 Bisque or Black \$250 Designer Color



Dimensions of fixture are nominal and specifications subject to change without notice.