

KITCHEN DRAIN

Cat. No.
5584



Diameter: 3 1/2"

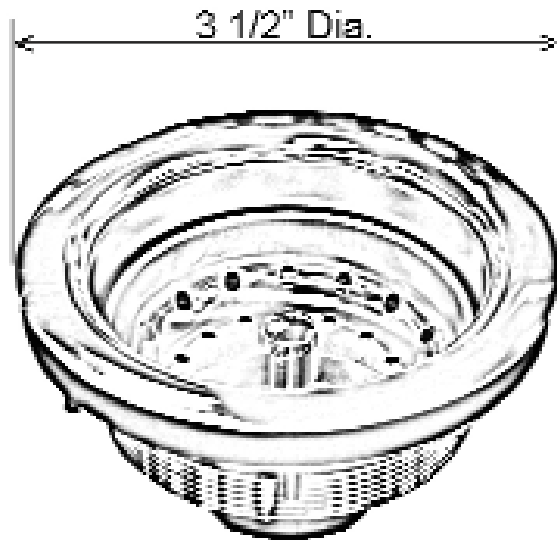
Features:

- ▶ Made of Solid Copper Construction
- ▶ Fits Standard 3 1/2" Drain Opening

Finishes:

AC Antique Copper

Compliance Certification
Material is consistent with
UNS C81100 Copper Casting
Alloy with respect to chemical
composition.



WARNING: This product can expose you to chemicals, including lead which is known to the State of California to cause cancer or birth defects or other reproductive harm, for more information, go to www.p65warnings.ca.gov

Dimensions and specifications subject to change without notice.