

STRAIGHT DOUBLE SHOWER ROD

Cat. No.
7100D



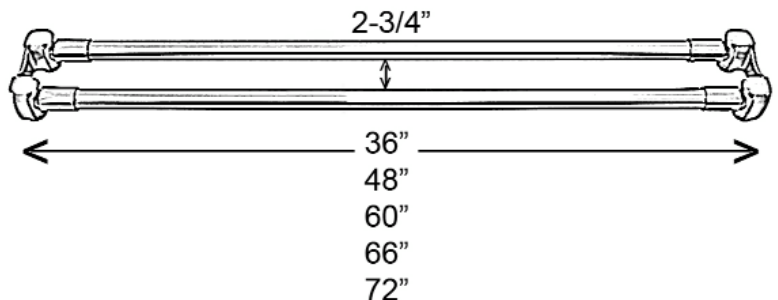
L: 36"
L: 48"
L: 60"
L: 66"
L: 72"

Features:

- ▶ 1" Brass tubing
- ▶ Available in 5 sizes: 36", 48", 60", 66" and 72"
- ▶ 2-3/4" between rods
- ▶ Mounting hardware included
- ▶ Rods adjustable by cutting
- ▶ Can be used for shower liner or to hang towels
- ▶ Available in 3 finishes

Finishes:

CP Polished Chrome
BN Brushed Nickel
ORB Oil Rubbed Bronze



Dimensions are nominal and may vary. Dimensions and specifications subject to change without notice.