

33" AMANDA SINGLE BOWL FARMER SINK

Cat. No
FSSSB2022-SS



Features:

- ▶ Solid 16 gauge, 304 grade metal construction
- ▶ Tight radius corners
- ▶ Template included
- ▶ Easy maintenance with matte finish
- ▶ Curved bowl
- ▶ Rim width is 1-1/2"
- ▶ Drain is 3-1/2"
- ▶ Wire grid available to purchase separately, **FSSSB2022-Wire**

W: 33"

D: 20³/₄"

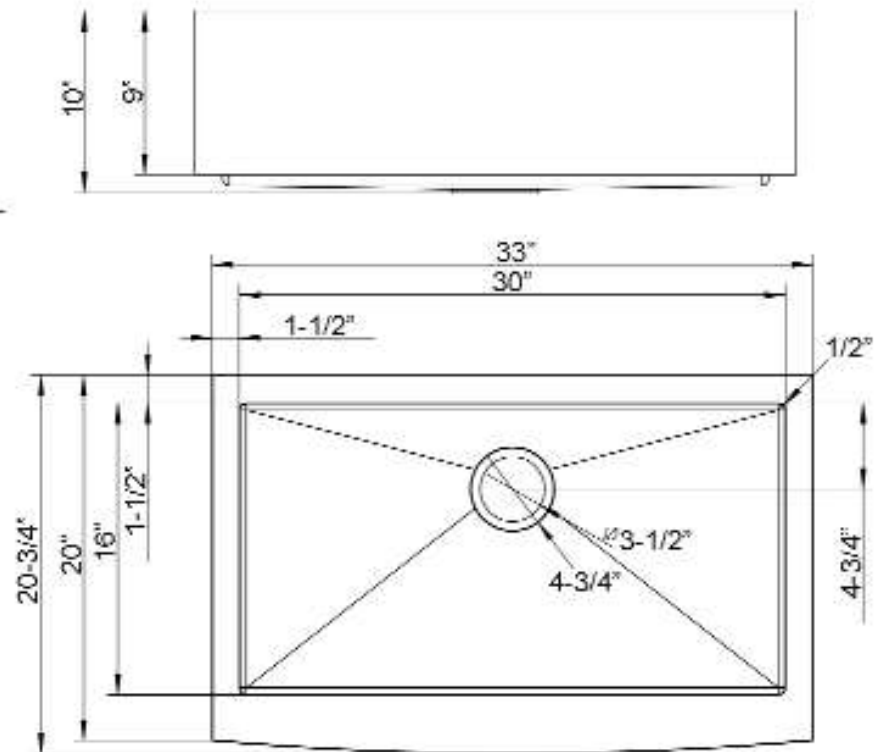
H: 10"

***Please do NOT cut hole without template or actual product.**

Interior Dimensions:

Basin Interior: 30" W x 16" D

Basin Depth: 9"



Dimensions of fixture are nominal and may vary within the range of tolerances established by ANSI Standard A112.19.2. Dimensions and specifications subject to change without notice.