

24" CARMON FIRECLAY SINK

Cat. No.
FSSB1052



Features:

- ▶ Fine fire clay for durability
- ▶ Reversible one side smooth and one side arched
- ▶ Accommodates 3-1/2" drain
- ▶ Rim is 1-3/8"

Colors:

BQ Bisque
WH White

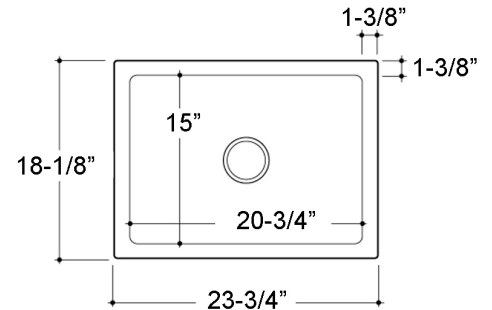
Compliance Certification

Meets or exceeds the following specifications: ASME 112.19.2.2013 for fine fire clay for durability.

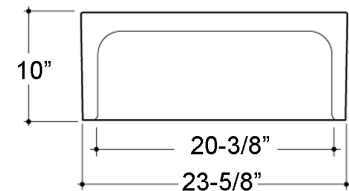
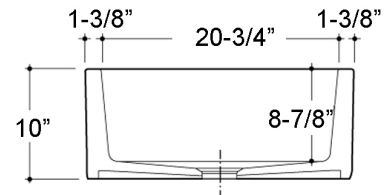
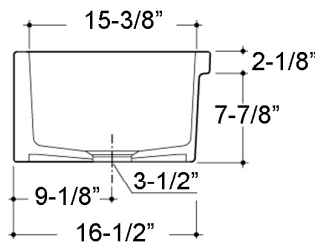
W: 23-5/8"

D: 18"

H: 10"



section



Interior Dimensions:

Basin Interior: 20-3/4" W x 15" D

Basin Depth: 8-7/8"

Dimensions of fixture are nominal and may vary within the range of tolerances established by ANSI Standard A112.19.2. Dimensions and specifications subject to change without notice.