

**67" ICARUS
CAST IRON
SLIPPER TUB**

Cat. No.
CTSN67



L: 67"
W: 29"
H: 22" & 29" (from floor to top of tub)

Depth: 13-1/2" to overflow
17" at drain

Overflow hole: 1-1/2" diameter

Features:

- ▶ Inside finish is white enamel
- ▶ Cast Iron ball and claw feet
- ▶ Pre-drilled overflow hole
- ▶ Tub exterior is white (epoxy)
- ▶ No faucet holes
- ▶ Feet attached and leveled before shipment
- ▶ Tub is thoroughly inspected before shipment

Foot Finishes:

- BP Polished Brass
- CP Polished Chrome
- PN Polished Nickel
- SN Brushed Nickel
- ORB Oil-rubbed Bronze
- WH White

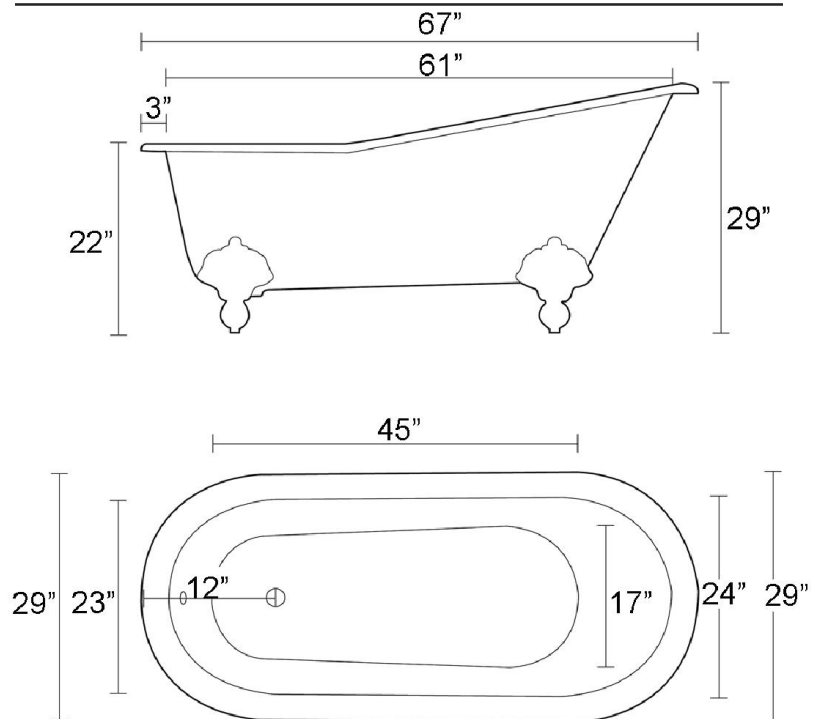


Custom Colors Available (inside of tub is always white enamel):
Painted bathtubs are considered "special order" and are not returnable
\$160 Bisque or Black \$250 Designer Color

The following is recommended for CTSN67 tubs without faucet holes:

- Faucets: part #4602, 7393, or 7410
- Rigid, freestanding supplies: Part #4502
- Leg tub drain: part #5599

Gallon Capacity: 57
Shipping Weight: 410 lbs.
Empty Weight: 300 lbs.
Filled Weight: 776 lbs.



Dimensions and specifications subject to change without notice.

TUB WALL MOUNT FILLER WITH HANDSHOWER

Cat. No.
4602



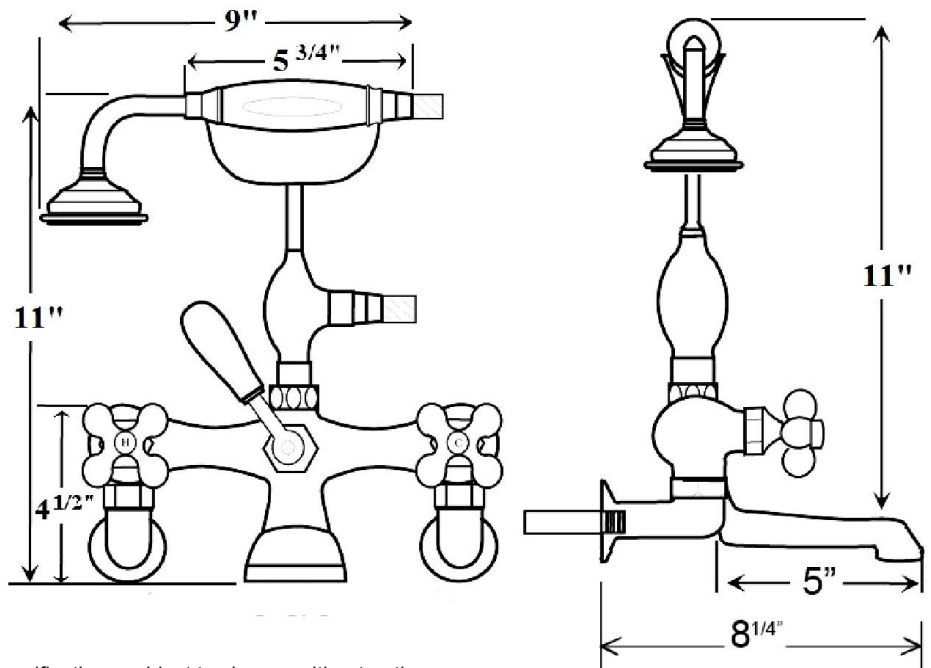
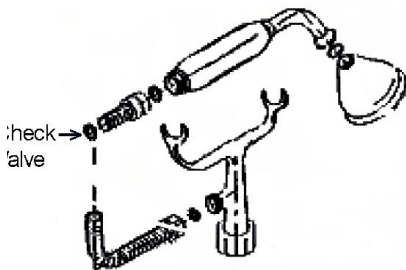
Adjustable Swivel Mounts

Features:

- ▶ Brass construction
- ▶ Elephant spout length is 5"
- ▶ Spout flow rate is 3.70 GPM
- ▶ Available with porcelain lever (**4602-PL**) or metal cross handles (**4602-MC**)
- ▶ Telephone handshower with cradle and hose
- ▶ Handshower flow rate 2.5 GPM
- ▶ Handshower includes backflow preventer
- ▶ Swivel mounts adjust centers from 3" to 12"
- ▶ Faucet centers are 7" without swivel mounts
- ▶ For tub wall mount installation
- ▶ ¼ turn ceramic disc cartridges
- ▶ To be used with double offset bath supplies, **Part #5576**
- ▶ This faucet can also be used with rigid freestanding supplies, **Part #4502** with adjustable swivel mounts removed

Finishes:

| | |
|------------------------------|---------------------------|
| BP Polished Brass | SN Brushed Nickel |
| CP Polished Chrome | PN Polished Nickel |
| ORB Oil Rubbed Bronze | |



Dimensions are nominal and may vary. Dimensions and specifications subject to change without notice.

FREESTANDING BATH SUPPLIES

Cat. No.
4502-PL



Features:

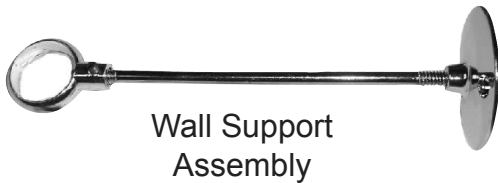
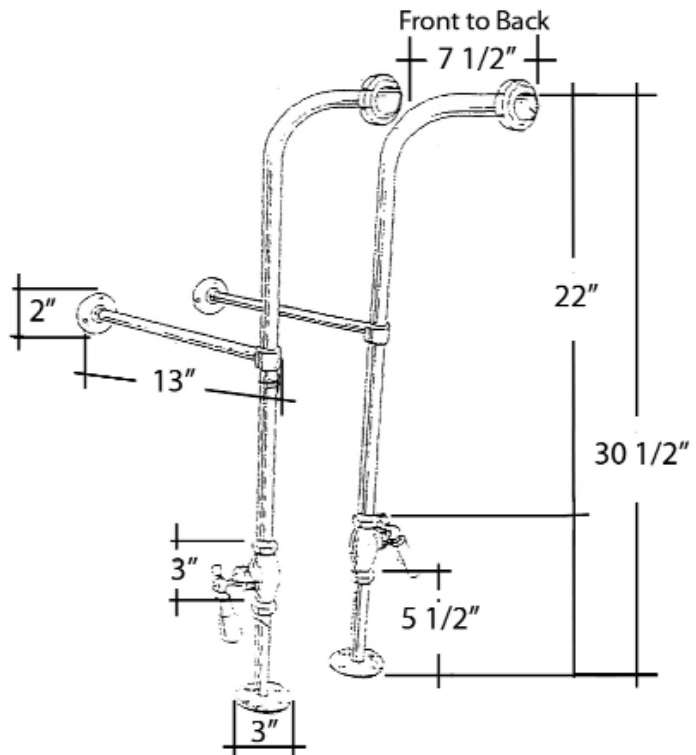
- ▶ 5" Shaft included
- ▶ Stops included
- ▶ 1/2" Pipe thread inlet
- ▶ 3/4" Flare outlet
- ▶ Wall support assemblies included
- ▶ Porcelain lever handles
- ▶ 0.800" Outer diameter
- ▶ 0.595" Inner diameter
- ▶ 0.090" Thickness of wall
- ▶ Available in 5 finishes

Finishes:

| | | | |
|-----------|-----------------|------------|-------------------|
| CP | Polished Chrome | PN | Polished Nickel |
| BP | Polished Brass | ORB | Oil Rubbed Bronze |
| SN | Brushed Nickel | | |

H: 30" (30 1/2" with nut)

OD: 1/2"



Wall Support
Assembly

Use on concrete floors requires special installation. We recommend using a plumbing professional.

Dimensions are nominal and may vary. Dimensions and specifications subject to change without notice.

LEG TUB DRAIN

Cat. No.
5599



Escutcheon Height: 1-1/4"

Features:

- ▶ Twist-and-lift stopper
- ▶ Includes deep escutcheon
- ▶ Height adjustable 15"-18"
- ▶ Depth adjustable 12"-14"
- ▶ Includes deep escutcheon
- ▶ Available in 5 Finishes

Finishes:

- CP Polished Chrome
- BP Polished Brass
- SN Brushed Nickel
- PN Polished Nickel
- ORB Oil Rubbed Bronze

#5599 Leg Tub Drain



Dimensions and specifications subject to change without notice.