

# BROCTON 68" CAST IRON ROLL TOP TUB

Cat. No.  
CTRN67



L: 68"  
W: 30-1/2"  
H: 23-1/4" (from floor to top of tub)  
18-5/8" (from bottom of tub to top of tub)



## Features:

- ▶ Inside finish is white enamel
- ▶ Cast Iron Ball and claw feet available in 8 finishes or unfinished
- ▶ Tub exterior is white (epoxy)
- ▶ No faucet holes
- ▶ Pre-drilled overflow hole
- ▶ Non-skid strips
- ▶ Feet are attached and leveled before shipment
- ▶ Tub is thoroughly inspected before shipment

## Foot Finishes:

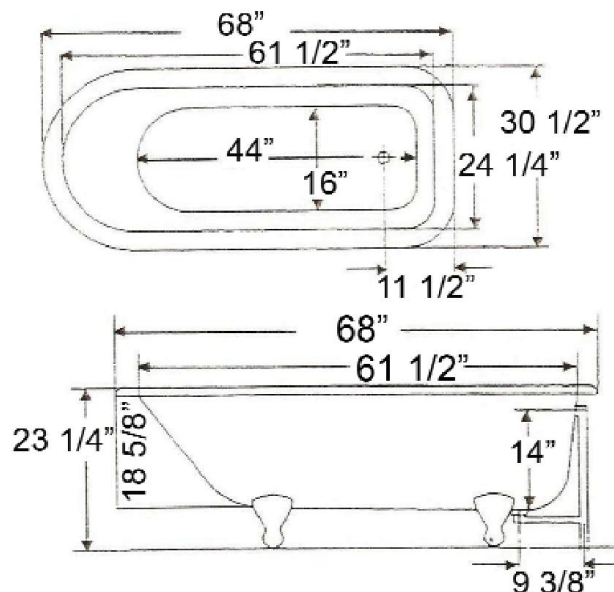
<b>BL</b> Black	<b>PN</b> Polished Nickel
<b>BQ</b> Bisque	<b>SN</b> Brushed Nickel
<b>BP</b> Polished Brass	<b>ORB</b> Oil-rubbed Bronze
<b>CP</b> Polished Chrome	<b>WH</b> White

**Custom Colors Available** (inside of tub is always white enamel):  
Painted bathtubs are considered "special order" and are not returnable  
\$160 Bisque or Black \$250 Designer Color

### The following is recommended for CTRN67 tubs without faucet holes:

- Faucets: part #4602
- Rigid, freestanding supplies: part #4502
- Leg tub drain: part #5599

Gallon Capacity:	57
Shipping Weight:	502 lbs.
Empty Weight:	309 lbs.
Filled Weight:	785 lbs.



Dimensions of fixture are nominal and may vary within the range of tolerances established by ANSI Standard A112.19.2. Dimensions and specifications subject to change without notice.

# TUB WALL MOUNT FILLER WITH HANDSHOWER

Cat. No.  
4602



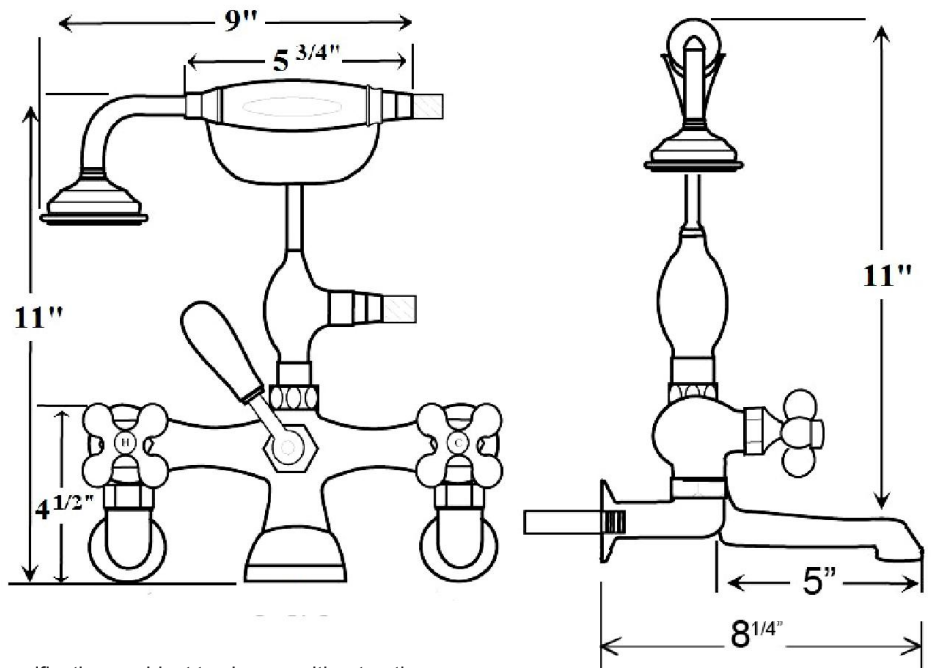
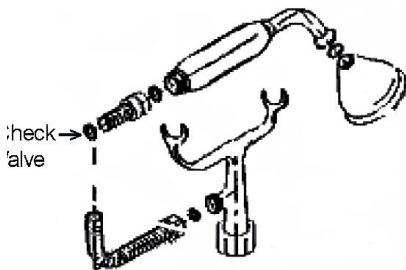
Adjustable Swivel Mounts

## Features:

- ▶ Brass construction
- ▶ Elephant spout length is 5"
- ▶ Spout flow rate is 3.70 GPM
- ▶ Available with porcelain lever (**4602-PL**) or metal cross handles (**4602-MC**)
- ▶ Telephone handshower with cradle and hose
- ▶ Handshower flow rate 2.5 GPM
- ▶ Handshower includes backflow preventer
- ▶ Swivel mounts adjust centers from 3" to 12"
- ▶ Faucet centers are 7" without swivel mounts
- ▶ For tub wall mount installation
- ▶ ¼ turn ceramic disc cartridges
- ▶ To be used with double offset bath supplies, **Part #5576**
- ▶ This faucet can also be used with rigid freestanding supplies, **Part #4502** with adjustable swivel mounts removed

## Finishes:

<b>BP</b> Polished Brass	<b>SN</b> Brushed Nickel
<b>CP</b> Polished Chrome	<b>PN</b> Polished Nickel
<b>ORB</b> Oil Rubbed Bronze	



Dimensions are nominal and may vary. Dimensions and specifications subject to change without notice.

# FREESTANDING BATH SUPPLIES

Cat. No.  
4502-PL



## Features:

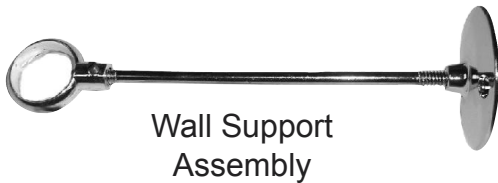
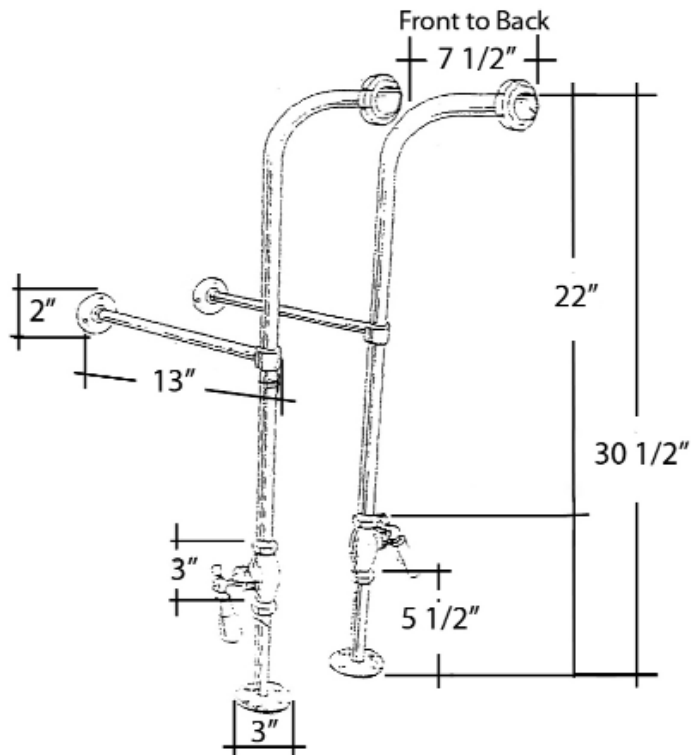
- ▶ 5" Shaft included
- ▶ Stops included
- ▶ 1/2" Pipe thread inlet
- ▶ 3/4" Flare outlet
- ▶ Wall support assemblies included
- ▶ Porcelain lever handles
- ▶ 0.800" Outer diameter
- ▶ 0.595" Inner diameter
- ▶ 0.090" Thickness of wall
- ▶ Available in 5 finishes

## Finishes:

<b>CP</b>	Polished Chrome	<b>PN</b>	Polished Nickel
<b>BP</b>	Polished Brass	<b>ORB</b>	Oil Rubbed Bronze
<b>SN</b>	Brushed Nickel		

H: 30" (30 1/2" with nut)

OD: 1/2"



Wall Support  
Assembly

**Use on concrete floors requires special installation. We recommend using a plumbing professional.**

Dimensions are nominal and may vary. Dimensions and specifications subject to change without notice.

# LEG TUB DRAIN

Cat. No.  
5599



Escutcheon Height: 1-1/4"

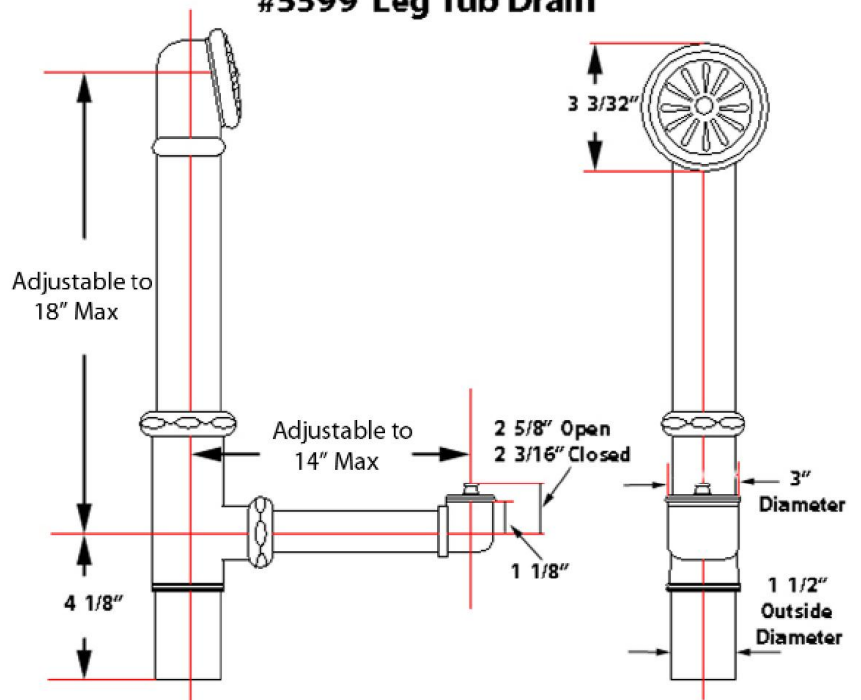
## Features:

- ▶ Twist-and-lift stopper
- ▶ Includes deep escutcheon
- ▶ Height adjustable 15"-18"
- ▶ Depth adjustable 12"-14"
- ▶ Includes deep escutcheon
- ▶ Available in 5 Finishes

## Finishes:

- CP Polished Chrome
- BP Polished Brass
- SN Brushed Nickel
- PN Polished Nickel
- ORB Oil Rubbed Bronze

## #5599 Leg Tub Drain



Dimensions and specifications subject to change without notice.

# RECTANGULAR SHOWER ROD

Cat. No.  
4150



## Features:

- ▶ 3/4" Solid Brass Tubing
- ▶ Includes 30" Ceiling Support Assembly
- ▶ Includes 10" End Wall Support Assembly
- ▶ 5/8" OD Supports are Adjustable by Cutting
- ▶ Finish varies by size
- ▶ Available In 2 Sizes: 48" (#4150-48), and 54" (#4150-54)
- ▶ All Rods Come As Four Pieces

Size	Finish
48" L X 24"D	PB, CP, SN, PN or ORB
54" L X 24"D	PB, CP or SN

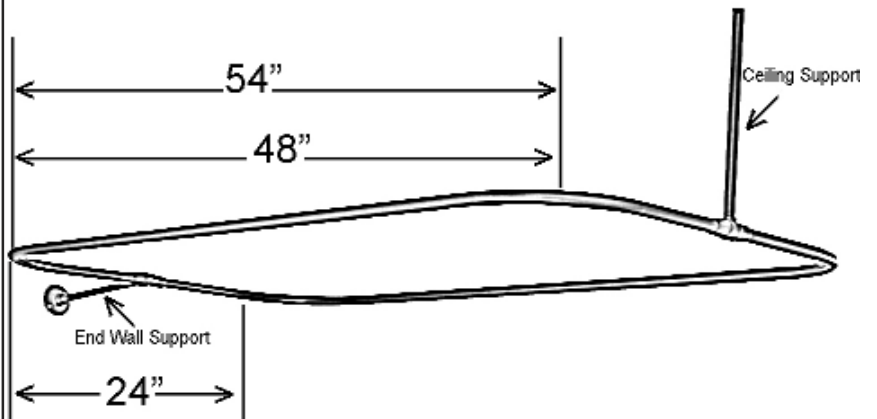
## Finishes:

**CP** Polished Chrome  
**PB** Polished Brass  
**PN** Polished Nickel

**SN** Brushed Nickel  
**ORB** Oil Rubbed Bronze



**End Wall Support  
Assembly**



Dimensions are nominal and may vary. Dimensions and specifications subject to change without notice.