

# 60" BARTLETT CAST IRON ROLL TOP TUB

Cat. No.  
CTR60



L: 60-<sup>3</sup>/<sub>4</sub>"  
W: 30-<sup>1</sup>/<sub>2</sub>"  
H: 23-<sup>1</sup>/<sub>4</sub>" (from floor to top of tub)  
18-<sup>5</sup>/<sub>8</sub>" (from bottom of tub to top of tub)

## Features:

- ▶ Inside finish is white enamel
- ▶ Cast Iron ball and claw feet
- ▶ Tub exterior is white (epoxy)
- ▶ 3-<sup>3</sup>/<sub>8</sub>" centers in tub wall
- ▶ Non-skid strips
- ▶ Feet are attached and leveled before shipment
- ▶ Tub is thoroughly inspected before shipment



### Foot Finishes:

**BP** Polished Brass  
**PN** Polished Nickel  
**WH** White

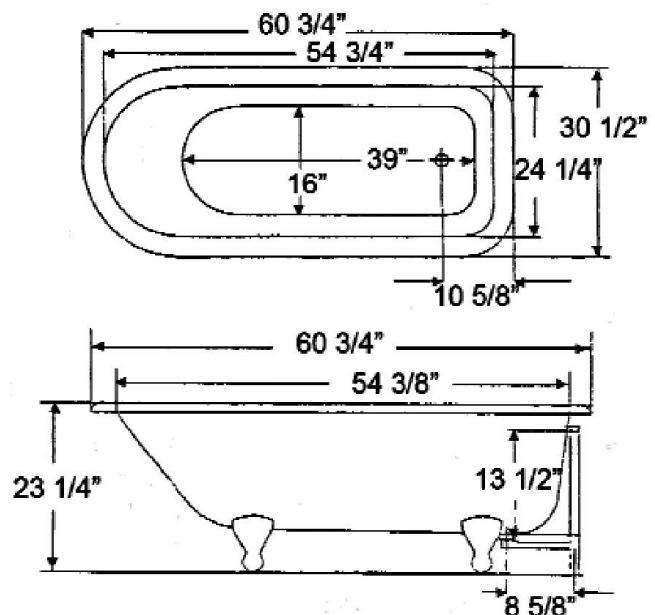
**CP** Polished Chrome  
**SN** Brushed Nickel  
**ORB** Oil-rubbed Bronze

**Custom Colors Available** (inside of tub is always white enamel):  
Painted bathtubs are considered "special order" and are not returnable  
\$160 Bisque or Black \$250 Designer Color

### The following is recommended for CTR60 tubs with faucet holes:

- Tub wall-mounted faucets or hand-held showers: part# 4022, 4025 or 4035
- Tub wall-mounted faucets for use with risers: part# 4001, 4023, 4030 or 4031
- Double offset bath supplies: part #5576
- Leg tub drain: part #5599
- Complete shower unit: part# 4124, 4143

Gallon Capacity: 40  
Shipping Weight: 500 lbs.  
Empty Weight: 287 lbs.  
Filled Weight: 622 lbs.



Dimensions of fixture are nominal and may vary within the range of tolerances established by ANSI Standard A112.19.2. Dimensions and specifications subject to change without notice.

# CODE RECTANGULAR SHOWER UNIT

Cat. No.  
4143



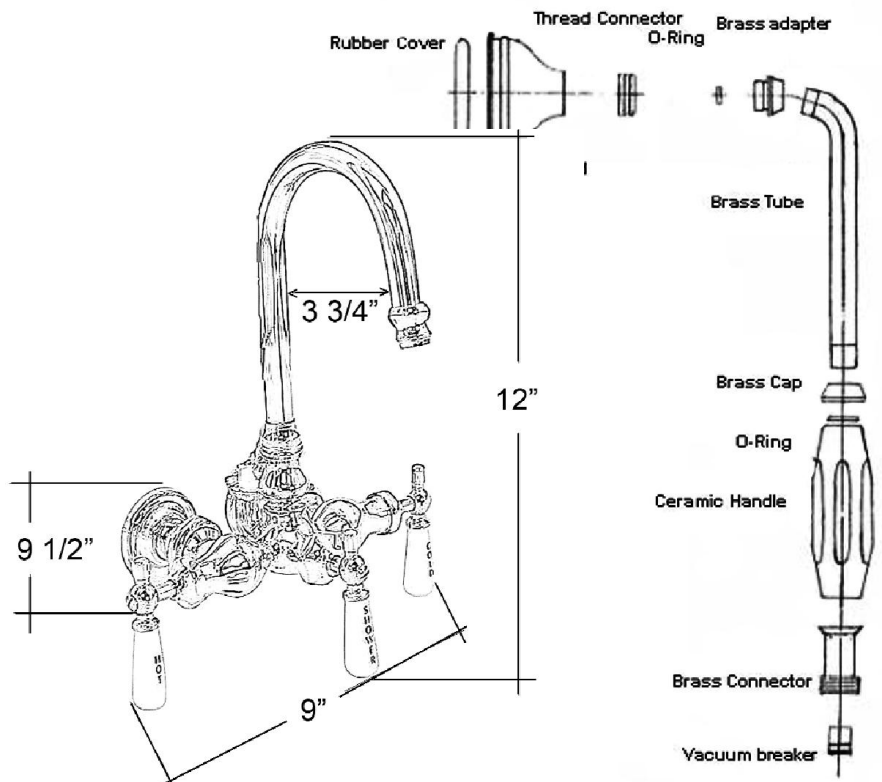
## Features:

- ▶ Code gooseneck spout
- ▶ Handheld shower with cradle and 59" hose
- ▶ Check valve in handshower
- ▶ 1/4 Turn ceramic disc cartridges
- ▶ Porcelain lever handles
- ▶ 3-3/8" Centers for tub wall mount installation
- ▶ Flow rate for spout is 3.68 GPM
- ▶ Flow rate for handshower is 2.5 GPM
- ▶ Includes ceiling and wall support assemblies
- ▶ Supports adjustable by cutting
- ▶ Includes riser and shower ring
- ▶ Shower head not included
- ▶ For cast iron tub use ONLY
- ▶ For acrylic tub use: part# 4144

## Finishes:

CP Polished Chrome  
SN Brushed Nickel

Shower Rod: 48"W x 24"D  
Riser Height: 60"  
Wall Support : 10" adjustable  
Ceiling Support: 30" adjustable



Dimensions are nominal and may vary. Dimensions and specifications subject to change without notice.

# DOUBLE OFFSET BATH SUPPLIES

Cat.No.  
5576



H: 24"

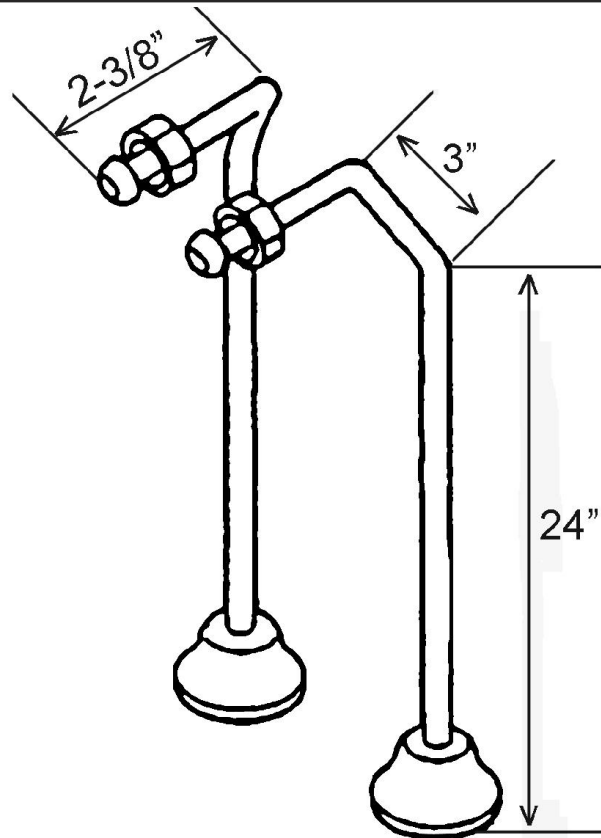
OD: 1/2"

## Features:

- ▶ For use with faucets mounted to the tub wall
- ▶ No Stops
- ▶ 1/2" Compression inlet
- ▶ 3/4" Compression outlet
- ▶ 0.500" Outer diameter
- ▶ 0.440" Inner diameter
- ▶ 0.030" Thickness of the wall
- ▶ Available in 5 finishes

## Finishes:

<b>CP</b>	Polished Chrome	<b>PN</b>	Polished Nickel
<b>PB</b>	Polished Brass	<b>BN</b>	Brushed Nickel
<b>ORB</b>	Oil Rubbed Bronze		



**Use on concrete floors requires special installation. We recommend using a plumbing professional.**

Dimensions and specifications subject to change without notice.

# LEG TUB DRAIN

Cat. No.  
5599



Escutcheon Height: 1-1/4"

## Features:

- ▶ Twist-and-lift stopper
- ▶ Includes deep escutcheon
- ▶ Height adjustable 15"-18"
- ▶ Depth adjustable 12"-14"
- ▶ Includes deep escutcheon
- ▶ Available in 5 Finishes

## Finishes:

- CP Polished Chrome
- BP Polished Brass
- SN Brushed Nickel
- PN Polished Nickel
- ORB Oil Rubbed Bronze

## #5599 Leg Tub Drain



Dimensions and specifications subject to change without notice.