

INSTALLATION INSTRUCTIONS

Parts Included

- 1 Valve Body • 1 Hose • 1 Cradle • 1 Gooseneck Spout • 3 Washers • 2 Cone Washers
2 Large Locknuts • 2 Connecting Nuts • 2 (2 1/4") Threaded Nipples • 60" Riser • 6" Wall Support

Tools Needed

- Adjustable Wrench • Slip Joint Pliers • Pipe Putty or Teflon Pipe Tape • Offset Bath Supplies #5576 •

NOTE: Handles are identified HOT and COLD. The hot handle must be to the left and cold to the right. Be sure the water supply is turned off before starting installation. Cushion the wrench or slip joint pliers with an old cloth to protect the finish of the fixture.

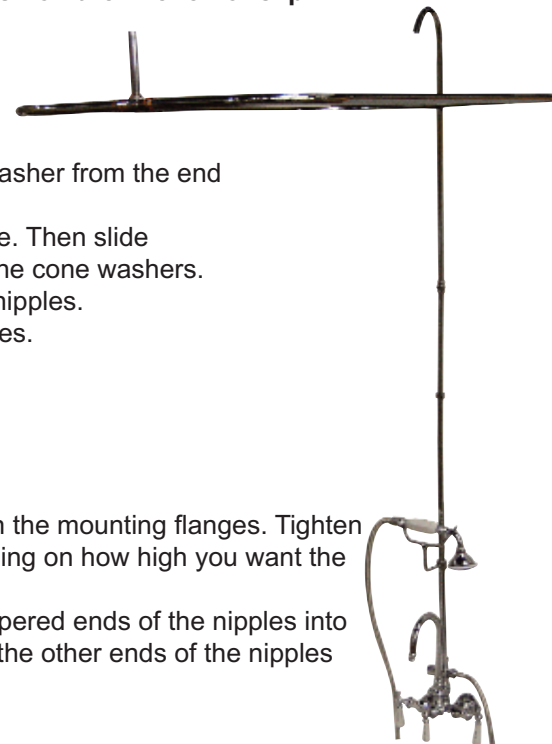
To Connect Shower Set to Tubes

Offset Bath Supplies #5576 Installation:

1. If you purchased the brass water supply tubes, first remove the round rubber washer from the end of each water supply tube.
2. Put the cone washers on the tub and connect the end of each water supply tube. Then slide the 1/2" connecting nuts over the opposite ends of the supply tubes and up to the cone washers.
3. Twist the connecting nuts over the cone washers and thread the nuts onto the nipples.
4. Connect the other ends of the brass water supply tubes to your house water lines. Consult your local plumber for assistance.
5. Repeat steps 1-4 using the right supply tube.

To Install Tubes

1. Align the valve assembly with the mounting flanges and secure with the nuts on the mounting flanges. Tighten with a wrench or pliers. **NOTE:** Flanges may be positioned up or down, depending on how high you want the spout.
2. Apply teflon tape to both ends of the hot and cold supply nipples. Thread the tapered ends of the nipples into the mounting flanges. On the outside of the tub, thread the large locknuts onto the other ends of the nipples and secure the shower set to the tub.
3. Thread diverter valve onto valve assembly.
4. Position cradle bracket on riser. Tighten with set screw.
5. Install washers in the hose ends and attach the hose to the cradle and shower head. (DO NOT over tighten)
6. Connect the water supply nipples to the brass water supply tubes. For wall mounting of the shower set to a house water supply line, see your local plumber.
7. Slip the wall bracket over the straight end of the riser pipe. Carefully slide the bracket to the appropriate position (approximately half-way up the rod) and tighten the set screw provided.
8. Assemble riser pipe to the riser coupling assembly on the spout by tightening the coupling nut. After hand tightening, fasten securely by using a wrench.
9. Secure wall support bracket to the wall using the screws provided with part #4195WS.



NOTE: Please seek professional help if you have copper plumbing in your home.

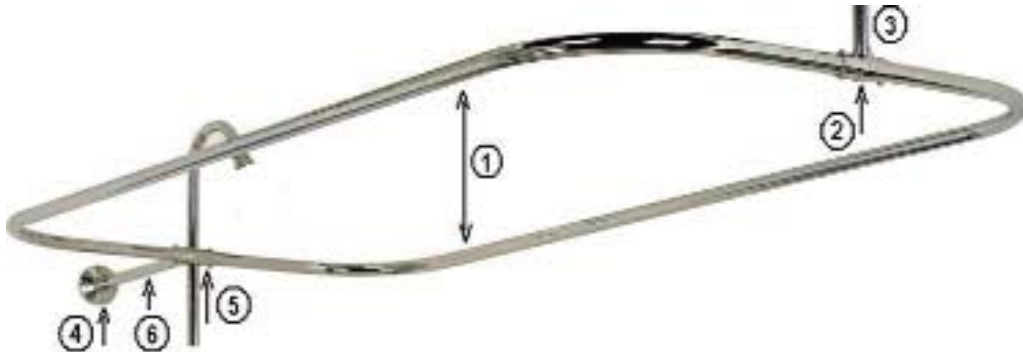
Cleaning Instructions

Wipe this whole set off with warm water and a soft cloth. DO NOT use soaps, cleansers, or brass cleaners as they will disintegrate the protective lacquer coating and leave the brass exposed causing it to tarnish.

INSTALLATION INSTRUCTIONS

Parts Included:

- 2 Curtain Frame Sections • 1 Wall Tee • 1 Ceiling Tee •
- 1 Wall Support 10" Long • 1 Ceiling Support 30" Long • 2 Flanges •
- 4 Wood Screws • 10 Set Screws w/ Heads • 1 Headless Set Screw •



1. Connect both halves of the curtain frame (1) using the ceiling tees and wall tees as shown above. In order to insure a solid fit, the tees fit snugly over the frame tube. Install 4 set screws in each tee.
2. Remove wall support (6), ceiling support (3) and 2 flanges (4) from the carton. Determine the correct length of the support rods as follows:
 - A. Hold one flange (4) to the wall at desired height from the inside of the tub and centered over the tub. Mark the position of the holes to be drilled. Fasten the flange to the wall with the wood screws, keeping the set screw hole on the top side of the flange.
 - B. Measure the distance from the center of the wall flange to the ceiling. **Important:** From this measurement deduct one 1/2". This will give you the length of the ceiling support rod needed. If the ceiling support rod must be shortened, cut the non-threaded end of the rod to the length desired by using a hacksaw. Attach the flange with a set screw to the non-threaded end and then attach the ceiling support rod to the ceiling tee (2).
3. Screw the wall support rod (6) to the wall tee (5). Place wall support into flange previously mounted on wall (see **2A**). Determine if the wall support rod should be shortened. The wall tee (5) should be approximately even with the front rim of the tub when viewed from the side. If necessary, cut the non-threaded end of the support rod.
4. Again, place the wall support rod (6) into the flange which is attached to the wall. The ceiling flange should now be touching the ceiling. Mark the location of the holes of the ceiling flange on the ceiling with a pencil. Drill holes where marked on the ceiling. Remove the ceiling flange from the ceiling support rod (3). Install the ceiling flange using the wood screws. If necessary use plastic expansion plugs (not provided). It is important that the ceiling flange be mounted as securely as possible.
5. Insert wall support rod into wall flange and ceiling support rod into flange then tighten the set screws securely.

Note: Wall support tee (5) has additional hole through tee for holding riser pipe of Converto shower, if previously purchased. The headless set screw is used for attaching the riser pipe to the tee.

INSTALLATION INSTRUCTIONS

Parts Included

- 4 Cone Washers (A) • 2 Decorative Locknuts (B) • Left Supply Tube (C) •
- Right Supply Tube (D) • 2 Escutcheons (E) • 2 Locknuts (F) •

Tools Needed

- Adjustable Wrench • Set of Crescent Wrenches • Pliers • Teflon Tape (use as a sealant on all male threaded tubing) •

This water supply tube kit includes the parts listed above ONLY. The faucet in your bathtub should be purchased previously and separate from this kit.



To Assemble Tubes

1. First be sure to shut off the the water supply. Remove old water supply tubing. Put a cone washer (A), with the wide end of the washer inward, onto the upper end of the left supply tube (C).
2. Slide a decorative locknut (B) up to the top of the left supply tube (C) and put on a cone washer (A).
3. On the bottom of the left supply tube (C), slide one of the escutcheons (E) up the tube partway, then slide the locknut (F) up the end of the tube (C) directly under the escutcheon.
4. Put another cone washer (A) with the wide end of the washer upward onto the bottom end of the tube (C).
5. Repeat steps 1-4 using the right supply tube (D).

To Install Tubes

1. Attach the bottom end of the left supply tube (C) to the water supply tubing in your floor by screwing the locknut (F) down tightly. Let the escutcheon (E) slide down to the floor.
2. Attach the upper end of the left supply tube (C) to the “cold side” faucet supply tube located on the rear of your tub by inserting the supply tube (C) into the faucet supply tube and tightly screw the decorative locknut (B) over the two for a tight fit.
3. Repeat steps 1-2 using the right supply tube (D) and connecting it to the “hot side” faucet supply tube.

NOTE: Please seek professional help if you have copper plumbing in your home.

Cleaning Instructions

Wipe this whole set off with warm water and a soft cloth. DO NOT use soaps, cleansers, or brass cleaners as they will disintegrate the protective lacquer coating and leave the brass exposed causing it to tarnish.

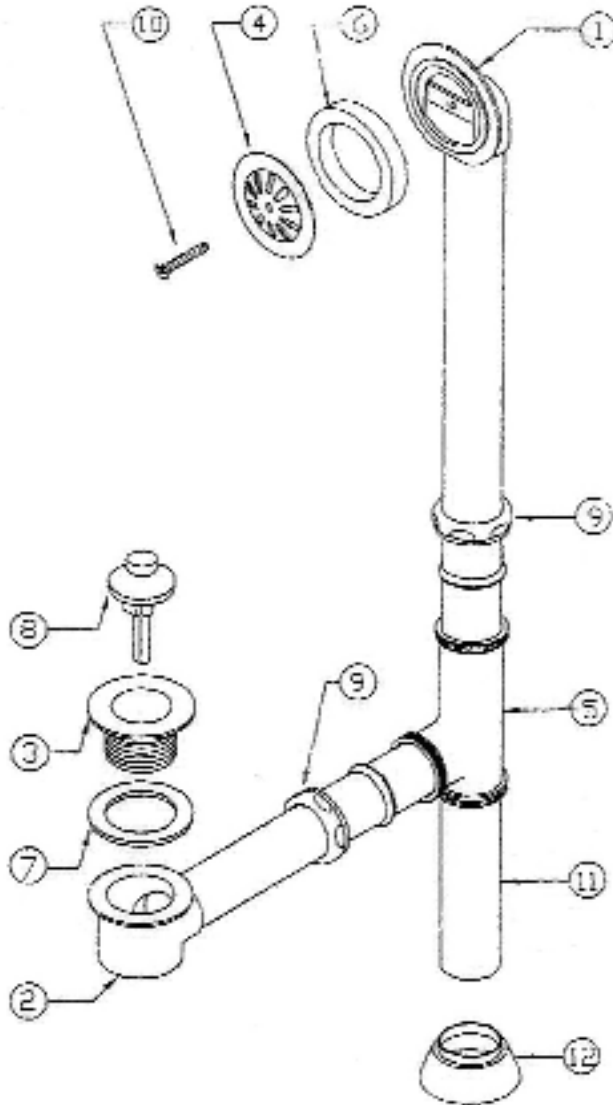
INSTALLATION INSTRUCTIONS

Parts Included

- Top Overflow Tube (1) • Bottom Shoe (2) • Top Waste Flange (3) • Face Plate (4) • Exposed Tee (5) • Face Sponge Gasket (6) • Waste Gasket (7) • Lift Stop (8) • 2- 1 1/2" Nut and Washers (9) • Face Plate Screw (10) • 1 1/2" x 6" Tube (11) • 1 1/2" O.D. Escutcheon (12) •

Tools Needed

- Wrench • Pliers • Teflon Tape (use as a sealant on all male threaded tubing) • Tube Cutter • Plumbers Putty •



To Assemble Tubes

1. Assemble #3 and #8 screw into #2. #7 is on top of #2 beneath the tub. Place a bead of plumbers putty around bottom of #3, to seal to tub and protect from leaks. Then tighten #3 into #2.
2. Assemble overflow. (Follow diagram)
3. Set #1 in place.
4. Place Tee (#5) on shoe.
5. Trim bottom of tube #1 to fit into Tee (#5).
6. Trim tube #11 to fit.
7. Tighten the nuts.

Cleaning Instructions

Wipe this whole set off with warm water and a soft cloth. DO NOT use soaps, cleansers, or brass cleaners as they will disintegrate the protective lacquer coating and leave the brass exposed causing it to tarnish.

NOTE: Please seek professional help if you have copper plumbing in your home.