

MARSHALL 72" CAST IRON DOUBLE SLIPPER TUB WITH BASE

Cat. No.
CTDSHB



L: 72"
L (Base): 48"
W: 30 1/2"
W (Base): 26"
H: 29 1/2" (from floor to top of tub)
H(Base): 8 1/2"



Meets or exceeds the following specifications: A112-19-1M 1994.

The following is recommended for CTDSHB tubs with deck holes:

- Rim-mounted faucet: part #4601
- Straight bath supplies: part #5577
- Leg tub drain: part #5599

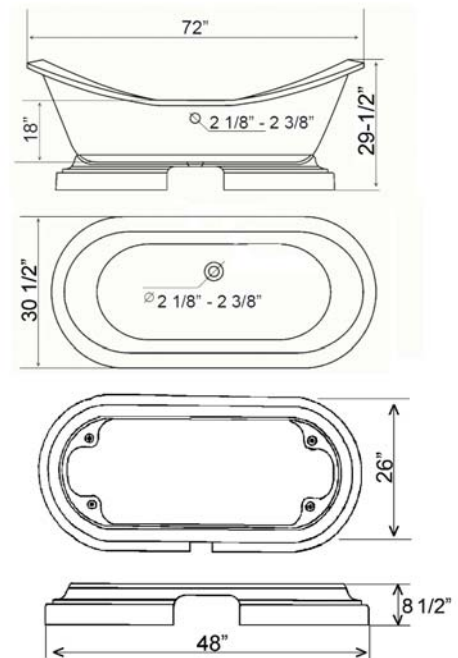
Gallon Capacity: 43 1/2
Shipping Weight: 740 lbs.
Empty Weight: 490 lbs.
Filled Weight: 854 lbs.

Features:

- ▶ Inside finish is white enamel
- ▶ 7" deck holes in long side of tub
- ▶ Tub exterior is white
- ▶ Non-skid strips
- ▶ Cutout in base for waste and overflow
- ▶ Tub and base combinations ship on 1 pallet



Custom Colors Available (inside of tub is always white enamel):
Painted bathtubs are considered "special order" and are not returnable
\$160 Bisque or Black \$250 Designer Color



Dimensions of fixture are nominal and may vary within the range of tolerances established by ANSI Standard A112.19.2. Dimensions and specifications subject to change without notice.

TUB RIM MOUNT FILLER WITH HANDSHOWER

Cat. No.
4601



Features:

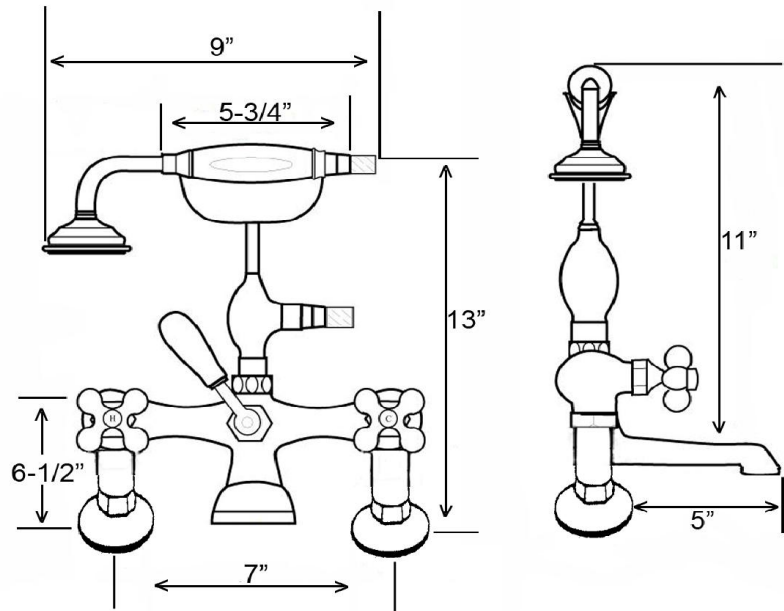
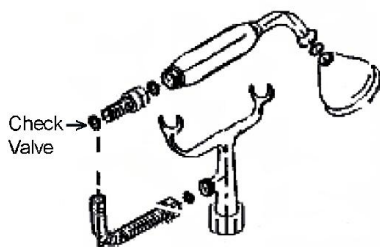
- ▶ Brass construction
- ▶ Elephant spout length is 5"
- ▶ Spout has flow rate is 3.70 GPM
- ▶ Available with porcelain lever (4601- PL) or metal cross lever handles (4601-MC)
- ▶ Telephone handshower with cradle and hose
- ▶ Handshower flow rate 2.5 GPM
- ▶ Handshower includes backflow preventer
- ▶ 6" Elbow mounts included
- ▶ 7" Centers for deck mounting on acrylic or cast iron tubs
- ▶ ¼ Turn ceramic disc cartridges
- ▶ To be used with straight bath supplies, **Part #5577**

Finishes:

BP Polished Brass	PN Polished Nickel
CP Polished Chrome	ORB Oil Rubbed Bronze
SN Brushed Nickel	



6" Elbow Mounts



Dimensions are nominal and may vary. Dimensions and specifications subject to change without notice.

STRAIGHT BATH SUPPLIES

Cat.No.

5577



H: 24"

OD: 1/2"

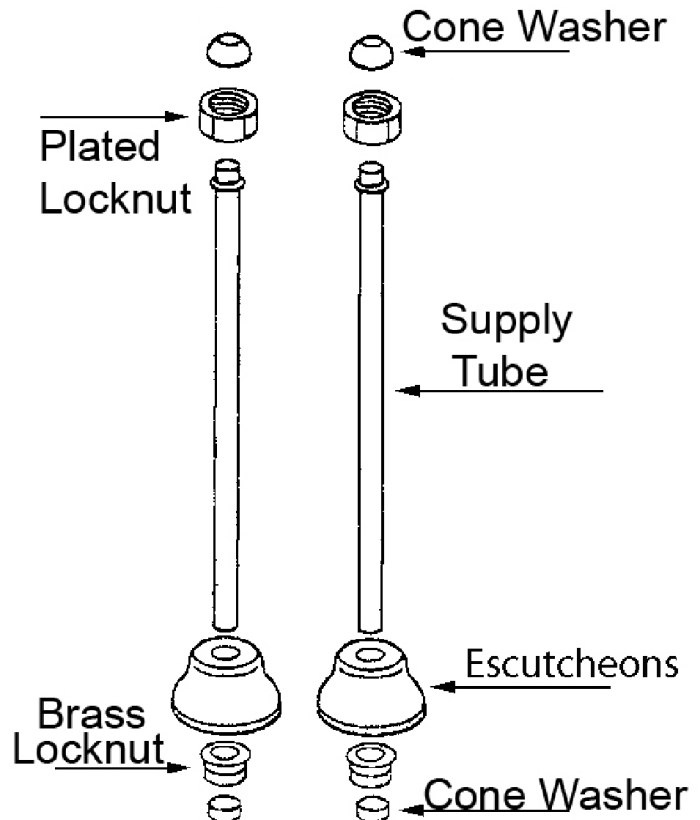
Features:

- ▶ For use with faucets mounted to the tub deck
- ▶ No stops
- ▶ 1/2" Compression inlet
- ▶ 3/4" Compression outlet
- ▶ Bottom flange 2 1/2" diameter
- ▶ 0.500" Outer diameter
- ▶ 0.400" Inner diameter
- ▶ 0.030" Thickness of the wall
- ▶ Available in 5 Finishes

Finishes:

CP Polished Chrome
BP Polished Brass
PN Polished Nickel

SN Brushed Nickel
ORB Oil Rubbed Bronze



Dimensions and specifications subject to change without notice.

LEG TUB DRAIN

Cat. No.
5599



Escutcheon Height is 1 1/4"

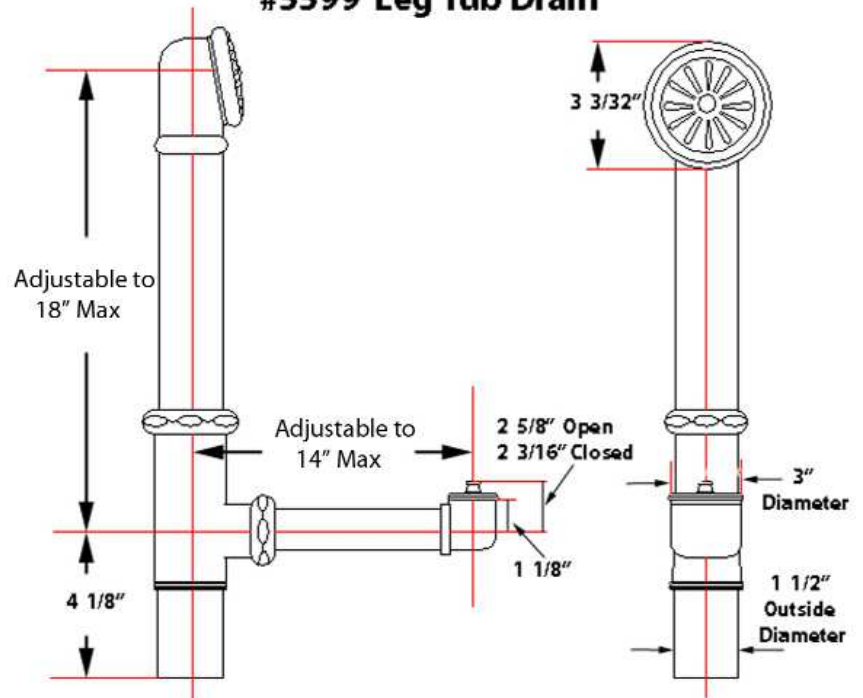
Features:

- ▶ Twist-and-Lift Stopper
- ▶ Includes Deep Escutcheon
- ▶ Available in 5 Finishes

Finishes:

- CP Polished Chrome
- BP Polished Brass
- SN Brushed Nickel
- PN Polished Nickel
- ORB Oil Rubbed Bronze

#5599 Leg Tub Drain



Dimensions and specifications subject to change without notice.