

# 71" MARSHALL CAST IRON DOUBLE SLIPPER

Cat. No.  
CTDSH



L: 71"  
W: 30-1/2"  
H: 30" (from floor to top of tub)  
22" (from floor to lowest tub rim)  
18-1/2" (from bottom of tub to top center of tub)  
26-3/4" (from bottom of tub to top of tub)  
Depth to Overflow: 14-1/4"



## Toe to Toe Measurements:

35" Front to back  
20-1/2" Side to side

### The following is recommended for CTDSH tubs with deck holes:

- Rim-mounted faucet: part #4601
- Straight bath supplies: part #5577
- Leg tub drain: part #5599

Gallon Capacity: 43 1/2  
Shipping Weight: 544 lbs.  
Empty Weight: 364 lbs.  
Filled Weight: 728 lbs.

## Features:

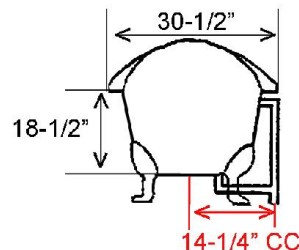
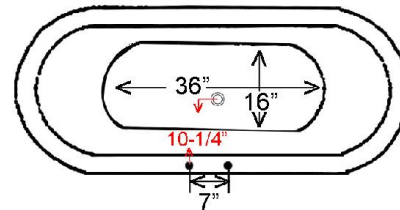
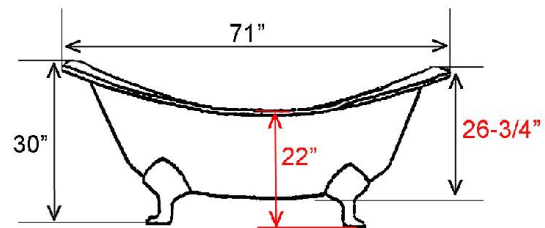
- ▶ Inside finish is white enamel
- ▶ Cast Iron lion paw feet
- ▶ Tub exterior is white
- ▶ Non-skid strips
- ▶ 7" deck holes in long side of tub
- ▶ Pre-drilled overflow hole
- ▶ Feet are attached and leveled before shipment
- ▶ Tub is thoroughly inspected before shipment



## Foot Finishes:

**BL** Black  
**BQ** Bisque  
**CP** Polished Chrome  
**PN** Polished Nickel  
**PB** Polished Brass  
**SN** Brushed Nickel  
**ORB** Oil-rubbed Bronze  
**WH** White

**Custom Colors Available** (inside of tub is always white enamel):  
Painted bathtubs are considered "special order" and are not returnable  
\$160 Bisque or Black \$250 Designer Color



Dimensions and specifications subject to change without notice.

# TUB RIM MOUNT FILLER WITH HANDSHOWER

Cat. No.  
4601



## Features:

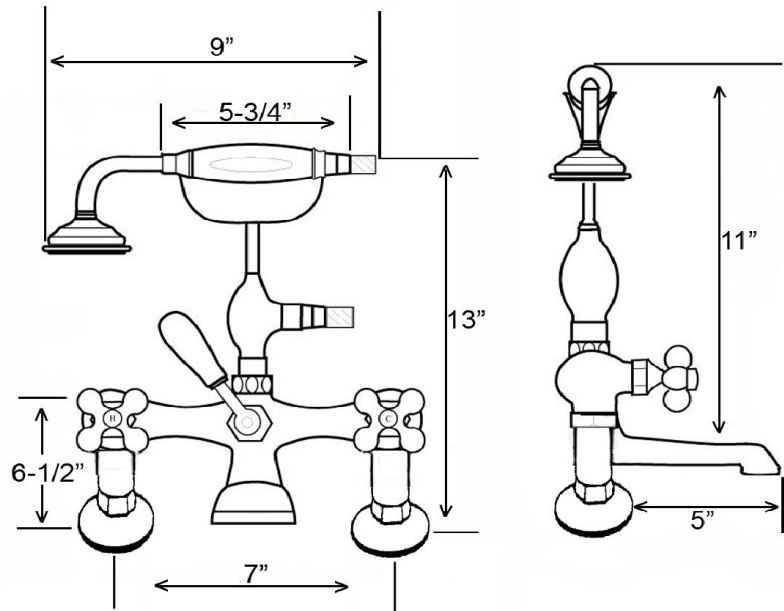
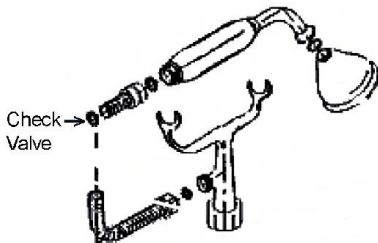
- ▶ Brass construction
- ▶ Elephant spout length is 5"
- ▶ Spout has flow rate is 3.70 GPM
- ▶ Available with porcelain lever (4601- PL) or metal cross lever handles (4601-MC)
- ▶ Telephone handshower with cradle and hose
- ▶ Handshower flow rate 2.5 GPM
- ▶ Handshower includes backflow preventer
- ▶ 6" Elbow mounts included
- ▶ 7" Centers for deck mounting on acrylic or cast iron tubs
- ▶ ¼ Turn ceramic disc cartridges
- ▶ To be used with straight bath supplies, **Part #5577**

## Finishes:

|                           |                              |
|---------------------------|------------------------------|
| <b>BP</b> Polished Brass  | <b>PN</b> Polished Nickel    |
| <b>CP</b> Polished Chrome | <b>ORB</b> Oil Rubbed Bronze |
| <b>SN</b> Brushed Nickel  |                              |



6" Elbow Mounts



Dimensions are nominal and may vary. Dimensions and specifications subject to change without notice.

# STRAIGHT BATH SUPPLIES

Cat.No.

5577



H: 24"

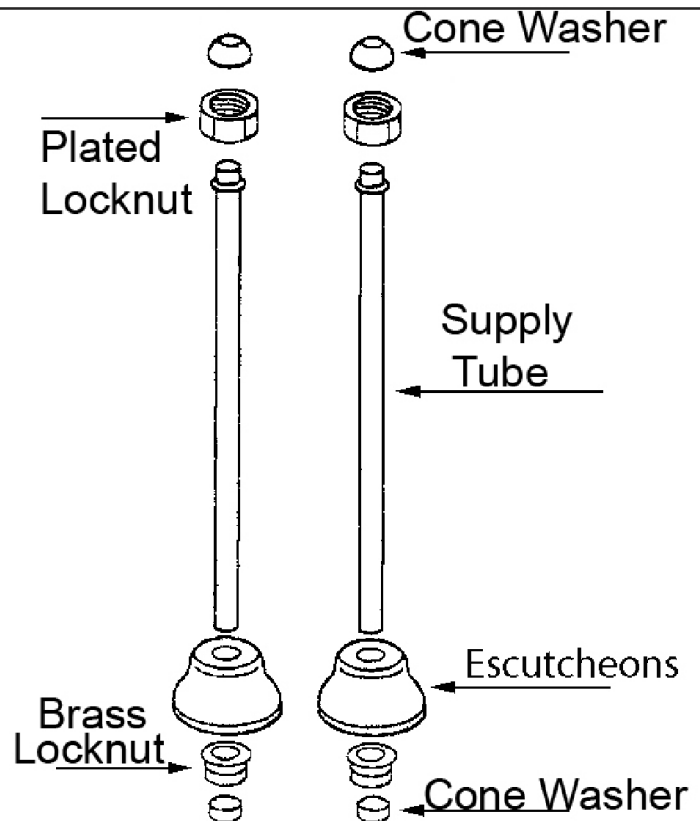
OD: 1/2"

## Features:

- ▶ For use with faucets mounted to the tub deck
- ▶ No stops
- ▶ 1/2" Compression inlet
- ▶ 3/4" Compression outlet
- ▶ Bottom flange 2 1/2" diameter
- ▶ 0.500" Outer diameter
- ▶ 0.400" Inner diameter
- ▶ 0.030" Thickness of the wall
- ▶ Available in 5 Finishes

## Finishes:

|    |                 |     |                   |
|----|-----------------|-----|-------------------|
| CP | Polished Chrome | SN  | Brushed Nickel    |
| BP | Polished Brass  | ORB | Oil Rubbed Bronze |
| PN | Polished Nickel |     |                   |



**Use on concrete floors requires special installation. We recommend using a plumbing professional.**

Dimensions and specifications subject to change without notice.

# LEG TUB DRAIN

Cat. No.  
5599



Escutcheon Height: 1-1/4"

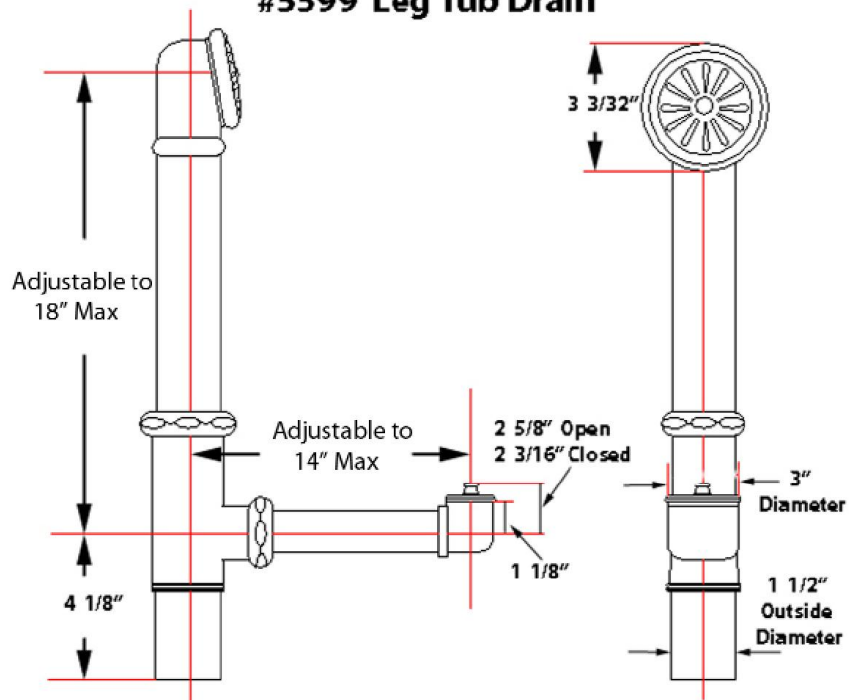
## Features:

- ▶ Twist-and-lift stopper
- ▶ Includes deep escutcheon
- ▶ Height adjustable 15"-18"
- ▶ Depth adjustable 12"-14"
- ▶ Includes deep escutcheon
- ▶ Available in 5 Finishes

## Finishes:

- CP Polished Chrome
- BP Polished Brass
- SN Brushed Nickel
- PN Polished Nickel
- ORB Oil Rubbed Bronze

## #5599 Leg Tub Drain



Dimensions and specifications subject to change without notice.