

**60" FILLMORE  
DOUBLE ACRYLIC  
SLIPPER TUB**

Cat. No.  
ADTS60



**Features:**

- ▶ Inside finish is either white or bisque to match outside color
- ▶ Pre-drilled overflow hole
- ▶ No faucet holes
- ▶ Aluminum ball and claw feet
- ▶ Smooth acrylic surface inside and out
- ▶ Tubs ship with feet attached and leveled
- ▶ Tubs are thoroughly inspected before shipment

L: 60"  
W: 30"  
H: 22-1/2" (from floor) short end  
32" (from floor) tall end  
16-1/2" (from bottom of tub) short end  
26" (from bottom of tub) tall end

Water Depth: 11-1/2" to OF



**Tub Colors**

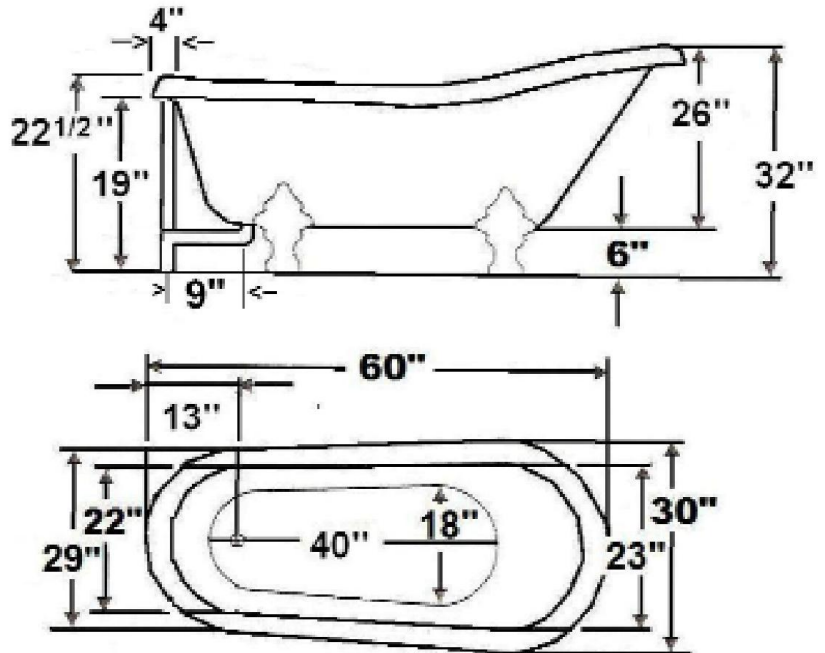
WH White BQ Bisque

**Foot Finishes**

BQ Bisque	BN Brushed Nickel
BL Black	ORB Oil Rubbed Bronze
PB Polished Brass	PN Polished Nickel
CP Polished Chrome	WH White

**Custom Colors Available** (inside of tub is always white enamel):  
Painted bathtubs are considered "special order" and are not returnable  
\$160 Bisque or Black \$250 Designer Color

The following is recommended for ADTS60 slipper tubs:  
•Faucets: part #4602, 7393, or 7410  
•Freestanding Bath Supplies: #4502-PL  
•Leg tub drain: part #5599



Gallon Capacity: 33  
Shipping Weight: 120 lbs.  
Empty Weight: 62 lbs.  
Filled Weight: 338 lbs.

Dimensions are nominal and specifications subject to change without notice.

# TUB WALL MOUNT FILLER WITH HANDSHOWER

Cat. No.  
4602



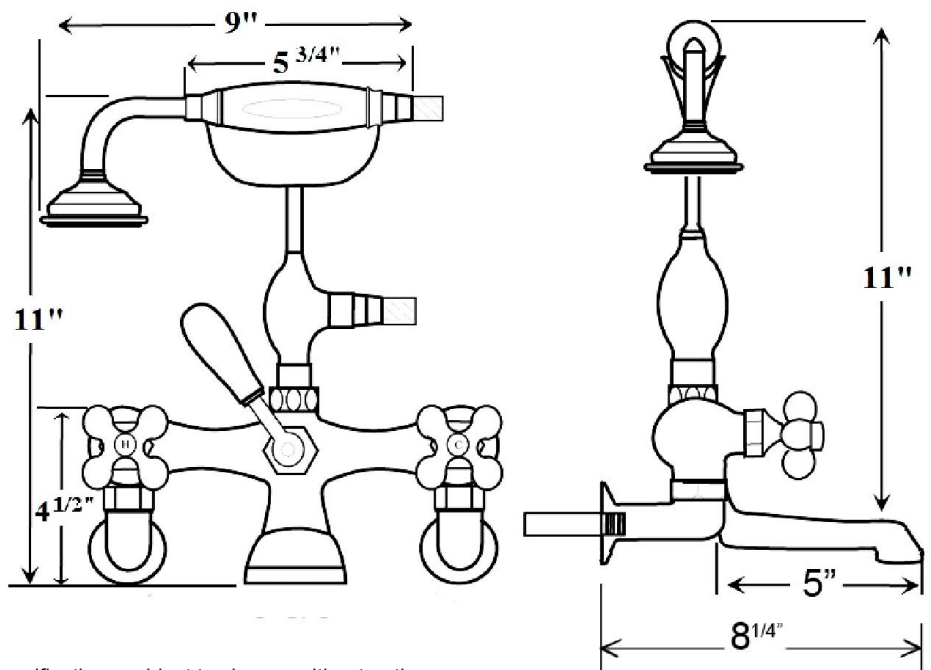
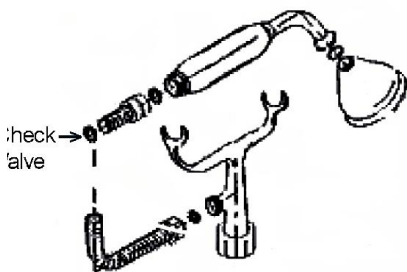
Adjustable Swivel Mounts

## Features:

- ▶ Brass construction
- ▶ Elephant spout length is 5"
- ▶ Spout flow rate is 3.70 GPM
- ▶ Available with porcelain lever (**4602-PL**) or metal cross handles (**4602-MC**)
- ▶ Telephone handshower with cradle and hose
- ▶ Handshower flow rate 2.5 GPM
- ▶ Handshower includes backflow preventer
- ▶ Swivel mounts adjust centers from 3" to 12"
- ▶ Faucet centers are 7" without swivel mounts
- ▶ For tub wall mount installation
- ▶ ¼ turn ceramic disc cartridges
- ▶ To be used with double offset bath supplies, **Part #5576**
- ▶ This faucet can also be used with rigid freestanding supplies, **Part #4502** with adjustable swivel mounts removed

## Finishes:

<b>BP</b> Polished Brass	<b>SN</b> Brushed Nickel
<b>CP</b> Polished Chrome	<b>PN</b> Polished Nickel
<b>ORB</b> Oil Rubbed Bronze	



Dimensions are nominal and may vary. Dimensions and specifications subject to change without notice.

# FREESTANDING BATH SUPPLIES

Cat. No.  
4502-PL



## Features:

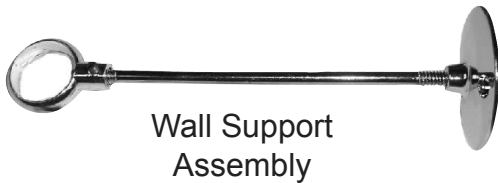
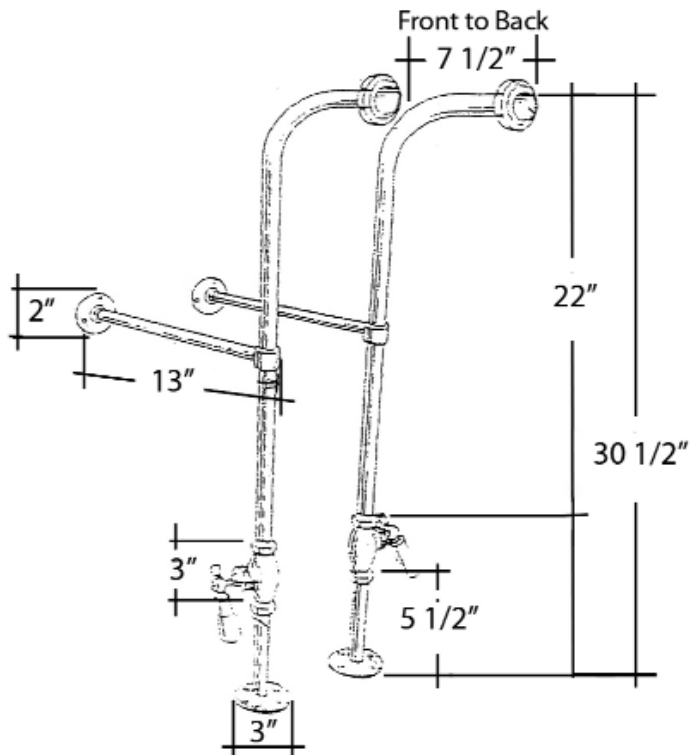
- ▶ 5" Shaft included
- ▶ Stops included
- ▶ 1/2" Pipe thread inlet
- ▶ 3/4" Flare outlet
- ▶ Wall support assemblies included
- ▶ Porcelain lever handles
- ▶ 0.800" Outer diameter
- ▶ 0.595" Inner diameter
- ▶ 0.090" Thickness of wall
- ▶ Available in 5 finishes

## Finishes:

<b>CP</b>	Polished Chrome	<b>PN</b>	Polished Nickel
<b>BP</b>	Polished Brass	<b>ORB</b>	Oil Rubbed Bronze
<b>SN</b>	Brushed Nickel		

H: 30" (30 1/2" with nut)

OD: 1/2"



Wall Support  
Assembly

**Use on concrete floors requires special installation. We recommend using a plumbing professional.**

Dimensions are nominal and may vary. Dimensions and specifications subject to change without notice.

# LEG TUB DRAIN

Cat. No.  
5599



Escutcheon Height: 1-1/4"

## Features:

- ▶ Twist-and-lift stopper
- ▶ Includes deep escutcheon
- ▶ Height adjustable 15"-18"
- ▶ Depth adjustable 12"-14"
- ▶ Includes deep escutcheon
- ▶ Available in 5 Finishes

## Finishes:

- CP Polished Chrome
- BP Polished Brass
- SN Brushed Nickel
- PN Polished Nickel
- ORB Oil Rubbed Bronze

## #5599 Leg Tub Drain



Dimensions and specifications subject to change without notice.