

60" ANTHEA DOUBLE ACRYLIC ROLL TOP TUB

Cat. No.
ADTR60



L: 60"
W: 30"
H: 24-1/2" (from floor)
18" (from bottom of tub)

Water Depth: 11-1/2" to OF

Features:

- ▶ Inside finish is either white or bisque to match outside color
- ▶ Pre-drilled overflow hole
- ▶ 3-3/8" centers in tub wall
- ▶ Smooth acrylic surface inside and out
- ▶ Cast aluminum ball and claw feet
- ▶ Tubs ship with feet attached and leveled
- ▶ Tubs thoroughly inspected before shipment

Tub Colors

WH White BQ Bisque



Foot Finishes

BQ Bisque	BN Brushed Nickel
BL Black	ORB Oil Rubbed Bronze
PB Polished Brass	PN Polished Nickel
CP Polished Chrome	WH White

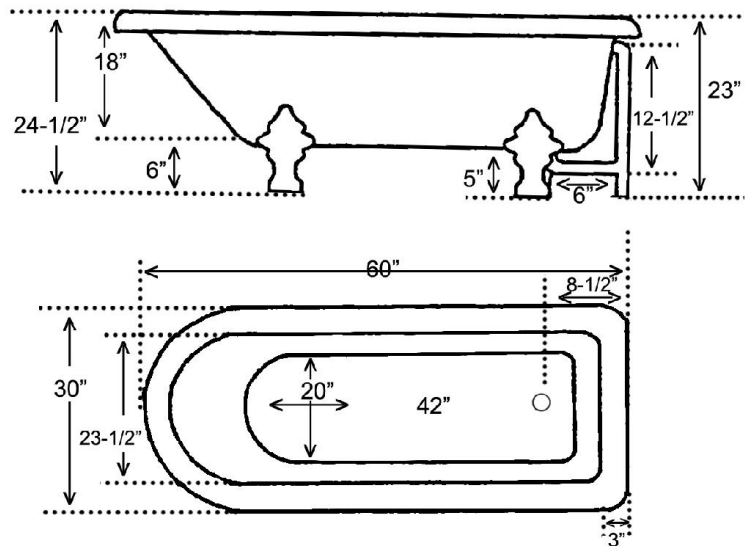
Custom Colors Available (inside of tub is always white enamel):
Painted bathtubs are considered "special order" and are not returnable
\$160 Bisque or Black \$250 Designer Color

The following is recommended for ADTR60 tubs

- Tub wall-mounted faucets: #4022, 4025 or 4035
- Double offset bath supplies: Part# 5576
- Leg tub drain: Part# 5599

Do not use with rigid, freestanding supplies

Gallon Capacity:	40
Shipping Weight:	110 lbs.
Empty Weight:	62 lbs.
Filled Weight:	396 lbs.



Dimensions are nominal and specifications subject to change without notice.

CODE RECTANGULAR SHOWER UNIT

Cat. No.
4198



Features:

- ▶ Rectangular shower rod is 3/4" solid brass tubing
- ▶ Washerless diverter bathcock
- ▶ Code spout is 4" above handles
- ▶ 3 3/8" Centers for tub wall mount installation
- ▶ 1/4 Turn compression stems
- ▶ Flow rate is 4 GPM
- ▶ Metal lever handles
- ▶ Polished Chrome and Polished Brass have plastic showerhead
- ▶ Brushed Nickel, Polished Nickel and Oil Rubbed Bronze have a metal showerhead
- ▶ Includes ceiling and wall support assemblies
- ▶ Supports adjustable by cutting
- ▶ Available with 48" (#4198-48) or 54" (#4198-54) shower rod
- ▶ Finish varies by size

Finishes:

CP Polished Chrome

PB Polished Brass

ORB Oil Rubbed Bronze

BN Brushed Nickel

PN Polished Nickel

SIZE	FINISH
48" x 24"	CP, BN, ORB, PB, PN
54" x 24"	PB, CP

Shower Rod:

L: 48" D: 24"

L: 54" D: 24"

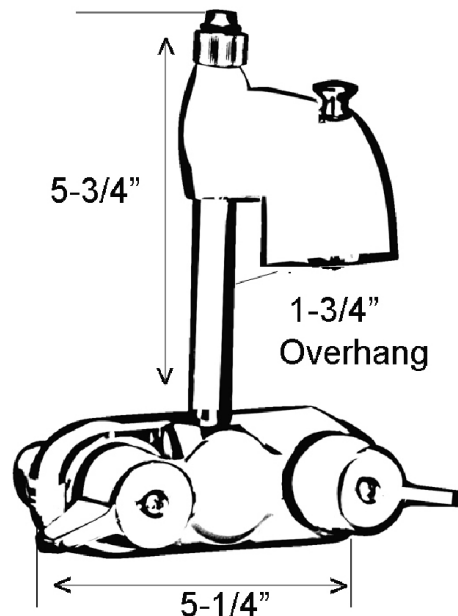
Riser Height: 56"

Wall Support: 10"

Ceiling Support: 30"

Spout Over-hang: 1 3/4"

Faucet Body Width: 5 1/2"



Dimensions are nominal and may vary. Dimensions and specifications subject to change without notice.

DOUBLE OFFSET BATH SUPPLIES

Cat.No.
5576



H: 24"

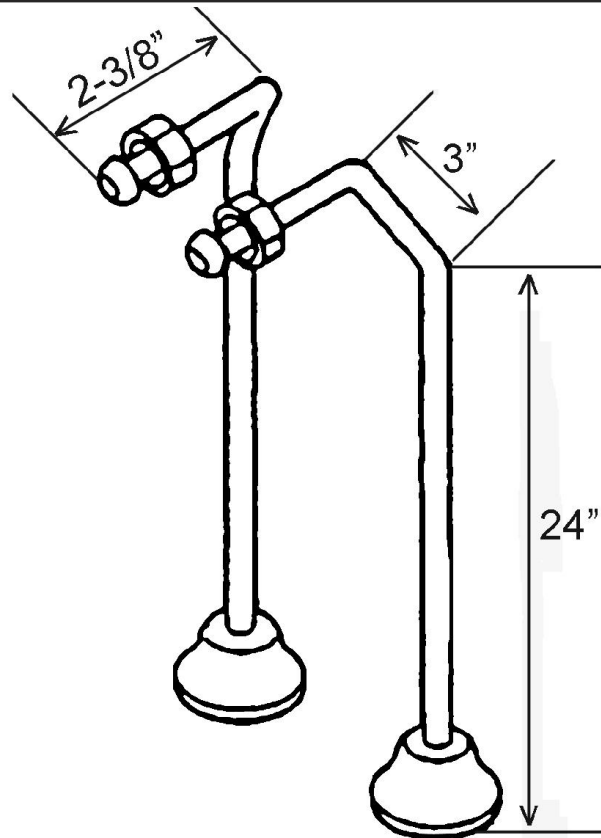
OD: 1/2"

Features:

- ▶ For use with faucets mounted to the tub wall
- ▶ No Stops
- ▶ 1/2" Compression inlet
- ▶ 3/4" Compression outlet
- ▶ 0.500" Outer diameter
- ▶ 0.440" Inner diameter
- ▶ 0.030" Thickness of the wall
- ▶ Available in 5 finishes

Finishes:

CP	Polished Chrome	PN	Polished Nickel
PB	Polished Brass	BN	Brushed Nickel
ORB	Oil Rubbed Bronze		



Use on concrete floors requires special installation. We recommend using a plumbing professional.

Dimensions and specifications subject to change without notice.

LEG TUB DRAIN

Cat. No.
5599



Escutcheon Height: 1-1/4"

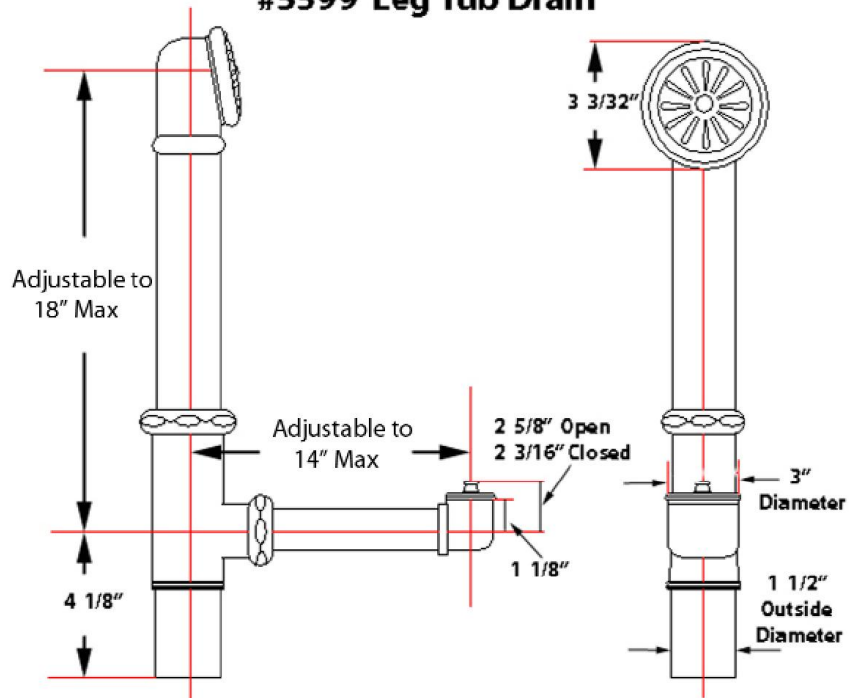
Features:

- ▶ Twist-and-lift stopper
- ▶ Includes deep escutcheon
- ▶ Height adjustable 15"-18"
- ▶ Depth adjustable 12"-14"
- ▶ Includes deep escutcheon
- ▶ Available in 5 Finishes

Finishes:

- CP Polished Chrome
- BP Polished Brass
- SN Brushed Nickel
- PN Polished Nickel
- ORB Oil Rubbed Bronze

#5599 Leg Tub Drain



Dimensions and specifications subject to change without notice.