

# 60" ANTHEA DOUBLE ACRYLIC ROLL TOP TUB

Cat. No.  
ADTR60



L: 60"  
W: 30"  
H: 24-1/2" (from floor)  
18" (from bottom of tub)

Water Depth: 11-1/2" to OF

**The following is recommended for  
ADTR60 tubs**

- Tub wall-mounted faucets: #4022, 4025 or 4035
- Double offset bath supplies: Part# 5576
- Leg tub drain: Part# 5599

**Do not use with rigid, freestanding supplies**

Gallon Capacity: 40  
Shipping Weight: 110 lbs.  
Empty Weight: 62 lbs.  
Filled Weight: 396 lbs.

## Features:

- ▶ Inside finish is either white or bisque to match outside color
- ▶ Pre-drilled overflow hole
- ▶ 3-3/8" centers in tub wall
- ▶ Smooth acrylic surface inside and out
- ▶ Cast aluminum ball and claw feet
- ▶ Tubs ship with feet attached and leveled
- ▶ Tubs thoroughly inspected before shipment

## Tub Colors

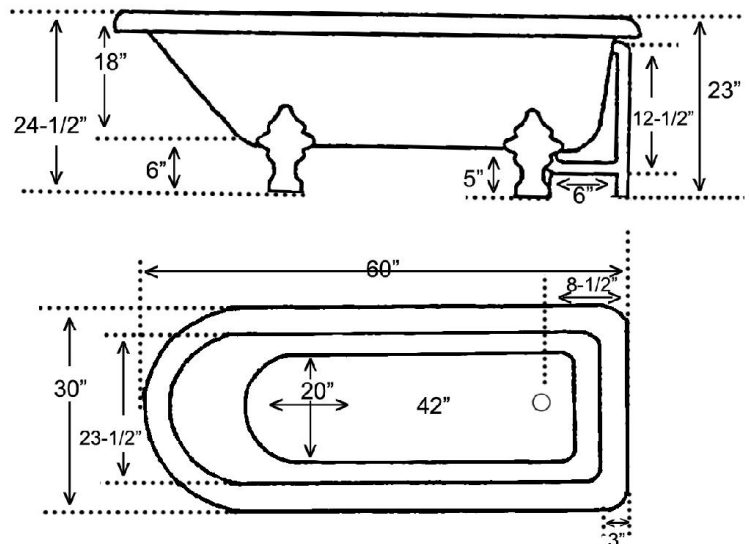
WH White BQ Bisque



## Foot Finishes

<b>BQ</b> Bisque	<b>BN</b> Brushed Nickel
<b>BL</b> Black	<b>ORB</b> Oil Rubbed Bronze
<b>PB</b> Polished Brass	<b>PN</b> Polished Nickel
<b>CP</b> Polished Chrome	<b>WH</b> White

**Custom Colors Available** (inside of tub is always white enamel):  
Painted bathtubs are considered "special order" and are not returnable  
\$160 Bisque or Black \$250 Designer Color



Dimensions are nominal and specifications subject to change without notice.

# TUB FILLER, DIVERTER, HAND SHOWER AND SHOWER RING

Cat. No.

4144



Shower Rod: 48" W x 24" D  
 Riser Height: 60"  
 Wall Support: 10" adjustable  
 Ceiling Support: 30" adjustable

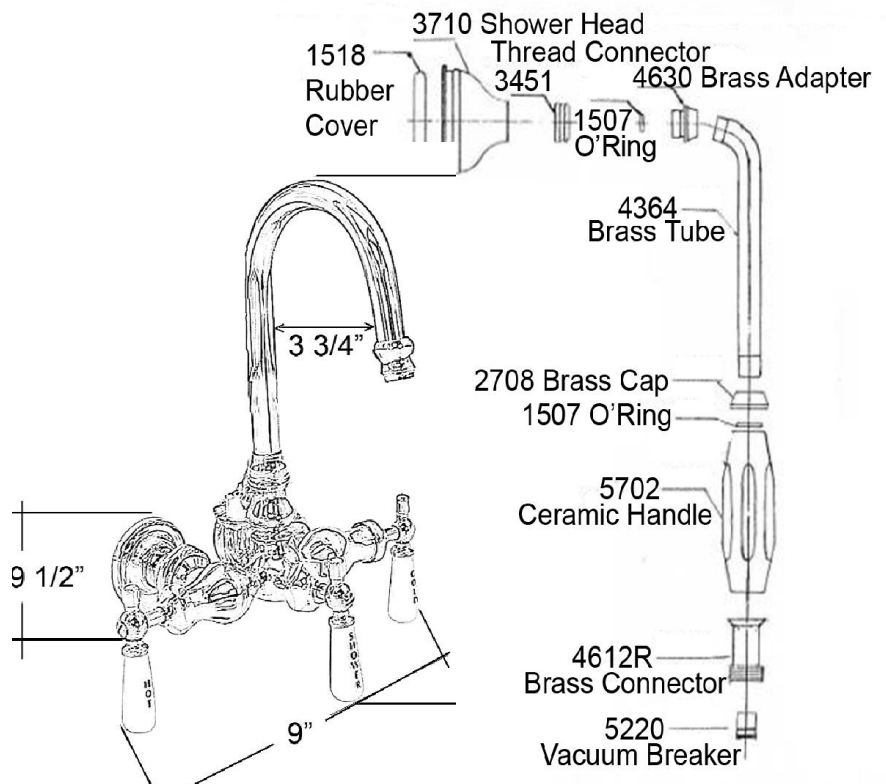
## Features:

- ▶ Code gooseneck spout
- ▶ Handheld shower with cradle and 59" hose
- ▶ Check valve in handshower
- ▶ ¼ Turn ceramic disc cartridges
- ▶ Porcelain lever handles
- ▶ 3-<sup>3</sup>/<sub>8</sub>" Centers for tub wall mount installation
- ▶ Flow rate for spout is 3.68 GPM
- ▶ Flow rate for handshower is 2.5 GPM
- ▶ Includes ceiling and wall support assemblies
- ▶ Supports adjustable by cutting
- ▶ Includes riser and shower ring
- ▶ Shower head not included
- ▶ For acrylic tub use only
- ▶ For cast iron tub use: Part# 4143

## Finishes

**BP** Polished Brass  
**CP** Polished Chrome

**PN** Polished Nickel  
**SN** Brushed Nickel



Dimensions are nominal and may vary. Dimensions and specifications subject to change without notice.

# DOUBLE OFFSET BATH SUPPLIES

Cat.No.  
5576



H: 24"

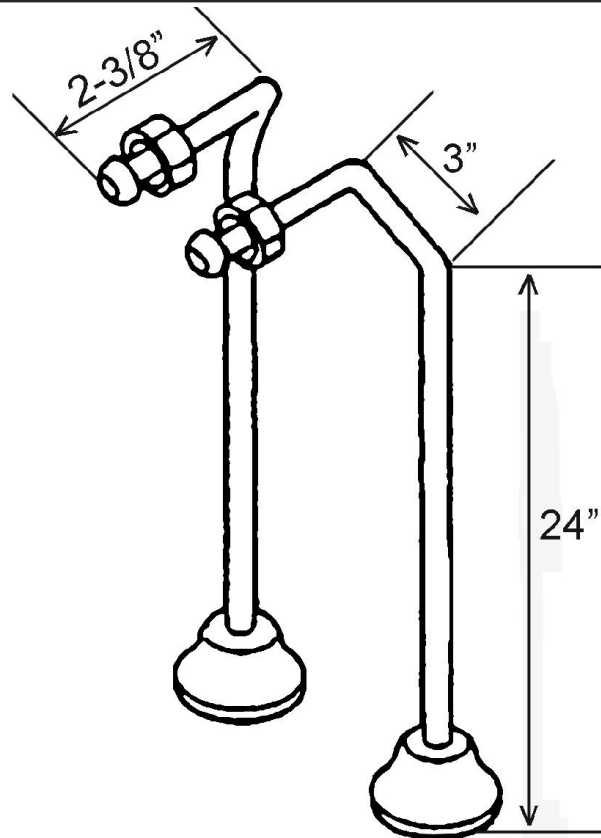
OD: 1/2"

## Features:

- ▶ For use with faucets mounted to the tub wall
- ▶ No Stops
- ▶ 1/2" Compression inlet
- ▶ 3/4" Compression outlet
- ▶ 0.500" Outer diameter
- ▶ 0.440" Inner diameter
- ▶ 0.030" Thickness of the wall
- ▶ Available in 5 finishes

## Finishes:

<b>CP</b>	Polished Chrome	<b>PN</b>	Polished Nickel
<b>PB</b>	Polished Brass	<b>BN</b>	Brushed Nickel
<b>ORB</b>	Oil Rubbed Bronze		



**Use on concrete floors requires special installation. We recommend using a plumbing professional.**

Dimensions and specifications subject to change without notice.

# LEG TUB DRAIN

Cat. No.  
5599



Escutcheon Height: 1-1/4"

## Features:

- ▶ Twist-and-lift stopper
- ▶ Includes deep escutcheon
- ▶ Height adjustable 15"-18"
- ▶ Depth adjustable 12"-14"
- ▶ Includes deep escutcheon
- ▶ Available in 5 Finishes

## Finishes:

- CP Polished Chrome
- BP Polished Brass
- SN Brushed Nickel
- PN Polished Nickel
- ORB Oil Rubbed Bronze

## #5599 Leg Tub Drain



Dimensions and specifications subject to change without notice.