

**GISELLE
57" CAST IRON
SLIPPER TUB**

Cat. No.
CTSN57I



L: 57"
W: 31"
H: 21-1/2" - 28-1/4" (from floor to top of tub)

Water depth: 16-1/2" to top of tub
Water depth: 13" to overflow

**The following is recommended for
CTSN57 tubs:**

- Faucet: part #4602
- Rigid, freestanding supplies: part #4502
- Leg tub drain: part #5599

Gallon Capacity:	35
Shipping Weight:	455 lbs.
Empty Weight:	275 lbs.
Filled Weight:	567 lbs.

Features:

- ▶ Inside finish is white enamel
- ▶ Cast Iron imperial feet available in 6 finishes
- ▶ Tub exterior is white (epoxy)
- ▶ No faucet holes with a continuous rolled rim
- ▶ Pre-drilled overflow hole
- ▶ Tub is thoroughly inspected before shipment

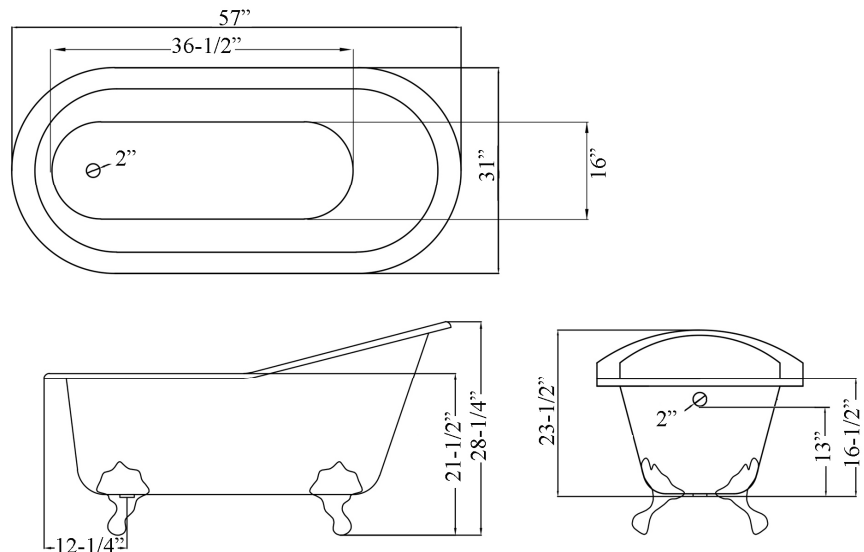
Foot Finishes:

- PB** Polished Brass
- SN** Brushed Nickel
- CP** Polished Chrome



- WH** White
- PN** Polished Nickel
- ORB** Oil-rubbed Bronze

Custom Colors Available (inside of tub is always white enamel):
Painted bathtubs are considered "special order" and are not returnable
\$160 Bisque or Black \$250 Designer Color



Dimensions of fixture are nominal and may vary within the range of tolerances established by ANSI Standard A112.19.2. Dimensions and specifications subject to change without notice.