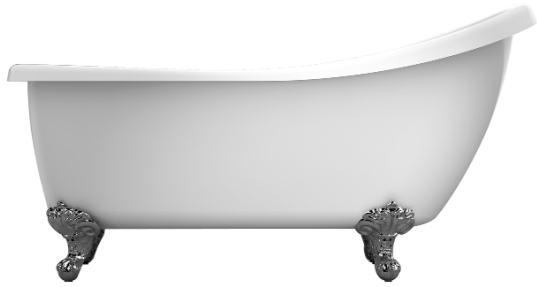


**FORTUNA
61" ACRYLIC
SLIPPER TUB**

Cat. No.
ATSNTD61I



L: 61"
W: 27-1/2"
H: 30-1/2"

Water depth: 17-1/8" to top of tub
Water depth: 12-5/8" to overflow

The following is recommended for ATSN tubs:

- Faucets: part #4602, 4604 or 7082
- Rigid, freestanding supplies: part #4502
- Leg tub drain: part #5599

Gallon Capacity: 39
Shipping Weight: 425 lbs.
Empty Weight: 200 lbs.
Filled Weight: 526 lbs.

Features:

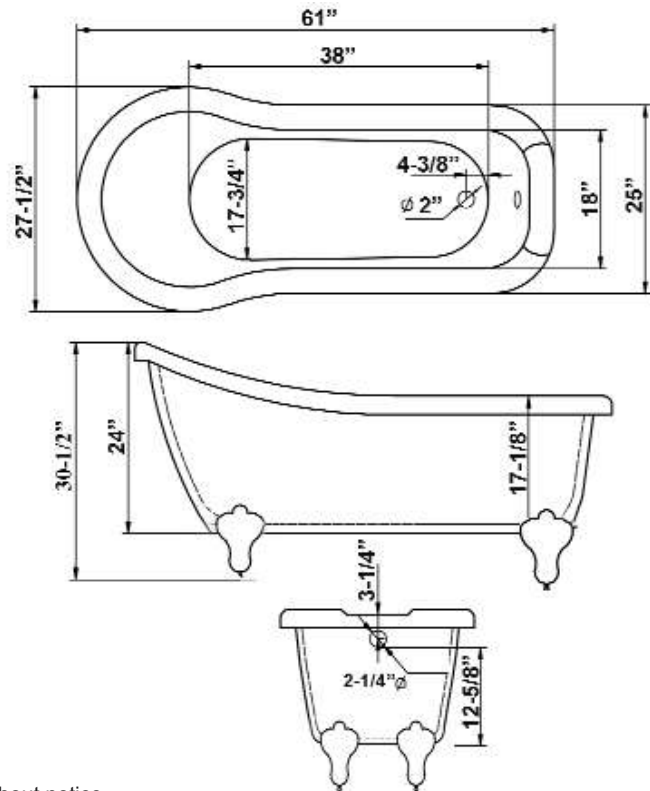
- ▶ Acrylic construction for lighter weight
- ▶ Sloped back for comfort
- ▶ No faucet holes with tap deck
- ▶ Pre-drilled overflow hole
- ▶ Aluminum imperial feet available in 4 finishes
- ▶ Tub is thoroughly inspected before shipment

Feet Finishes:

- BN** Brushed Nickel
- PB** Polished Brass
- CP** Polished Chrome
- ORB** Oil Rubbed Bronze



Custom Colors Available (inside of tub is always white enamel):
Painted bathtubs are considered "special order" and are not returnable
\$160 Bisque or Black \$250 Designer Color



Dimensions of fixture are nominal and specifications subject to change without notice.