

**MALLORY  
68" ACRYLIC  
SLIPPER TUB**

Cat. No.  
ATSN68B



L: 67-1/4"  
W: 27-1/4"  
H: 25-1/2" - 28-3/8"

Water depth: 19" to top of tub  
Water depth: 14-1/2" to overflow

The following is recommended for ATSN68B tubs:

- Faucets: part #4602, 4604 or 7082
- Rigid, freestanding supplies: part #4502
- Leg tub drain: part #5599LT or 5599TS



Overflow can be drilled.  
With overflow drilled this tub requires drain 5599PD.  
**Tubs that have been drilled with overflow are "special order" and are not returnable.**

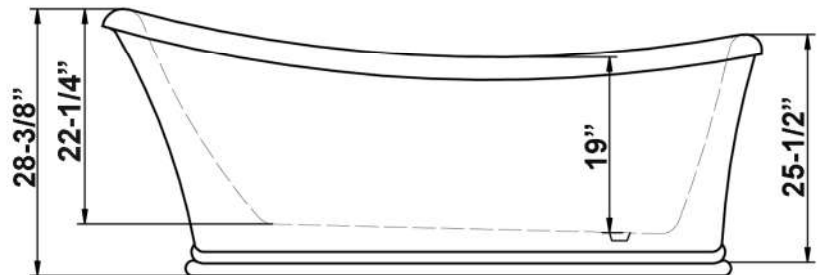
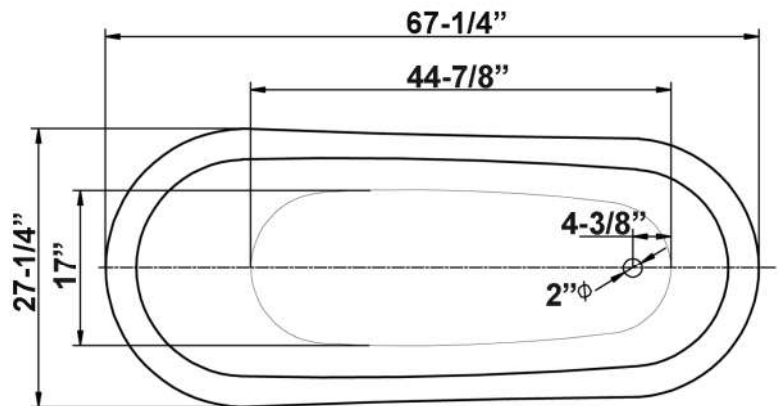
Gallon Capacity without OF:	55
Gallon Capacity with OF:	45
Shipping Weight:	350 lbs.
Empty Weight:	150 lbs.
Filled Weight without OF:	609 lbs.
Filled Weight with OF:	526 lbs.

**Features:**

- ▶ Interior and exterior walls acrylic sheets
- ▶ Space between walls partially filled with fiberglass & resin
- ▶ Traditional design compliments any décor
- ▶ No faucet holes
- ▶ No overflow
- ▶ Tub is thoroughly inspected before shipment



**Custom Colors Available** (inside of tub is always white enamel):  
Painted bathtubs are considered "special order" and are not returnable  
\$160 Bisque or Black \$250 Designer Color



Dimensions of fixture are nominal and specifications subject to change without notice.