

**LYNDELL  
67" ACRYLIC  
SLIPPER TUB**

Cat. No.  
ATSN67F



L: 66-1/2"  
W: 28-1/2"  
H: 25" - 29" (from floor to top of tub)

Water depth: 19-3/4" to top of tub  
Water depth: 15-1/2" to overflow

**The following is recommended for ATSN67F tubs:**

- Faucets: part #4602, #4604 or 7082
- Rigid, freestanding supplies: part #4502
- Leg tub drain: part #5599LT



Overflow can be drilled.  
With overflow drilled this tub requires drain 5599PD.  
**Tubs that have been drilled with overflow are "special order" and are not returnable.**

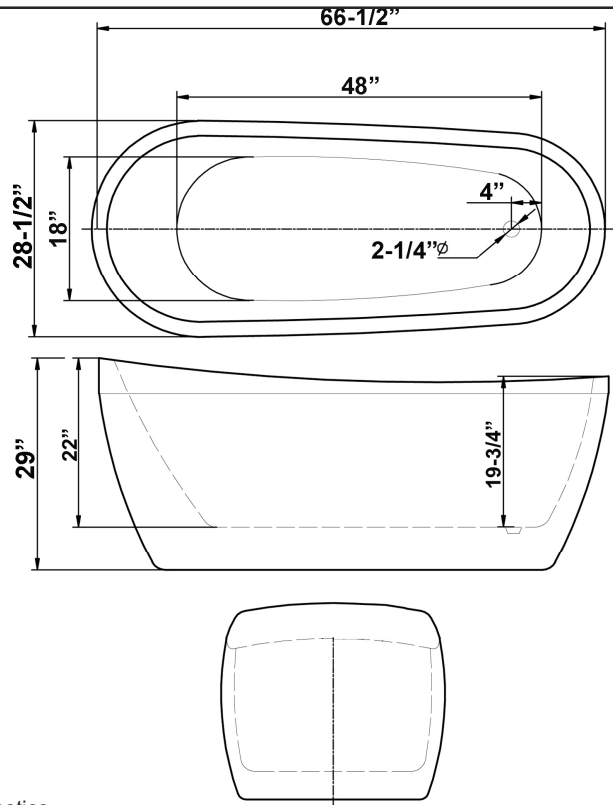
Gallon Capacity without OF:	70
Gallon Capacity with OF:	59
Shipping Weight:	425 lbs.
Empty Weight:	200 lbs.
Filled Weight without OF:	785 lbs.
Filled Weight with OF:	693 lbs.

**Features:**

- ▶ Interior and exterior walls acrylic sheets
- ▶ Space between walls partially filled with fiberglass & resin
- ▶ No faucet holes
- ▶ No overflow
- ▶ Traditional design compliments any décor
- ▶ Includes built in adjusters
- ▶ Tub is thoroughly inspected before shipment



**Custom Colors Available** (inside of tub is always white enamel):  
Painted bathtubs are considered "special order" and are not returnable  
\$160 Bisque or Black \$250 Designer Color



Dimensions of fixture are nominal and specifications subject to change without notice.