

**LANCELOT
67" ACRYLIC
SLIPPER TUB**

Cat. No.
ATSN67B



L: 67"
W: 29-3/4"
H: 27-5/8" - 33"

Water depth: 18-3/8" to top of tub
Water depth: 13-7/8" to overflow

The following is recommended for ATSN67B tubs:

- Faucets: part #4602, 4604 or 7082
- Rigid, freestanding supplies: part #4502
- Leg tub drain: part #5599LT



Overflow can be drilled. With overflow drilled this tub requires drain 5599PD. **Tubs that have been drilled with overflow are "special order" and are not returnable.**

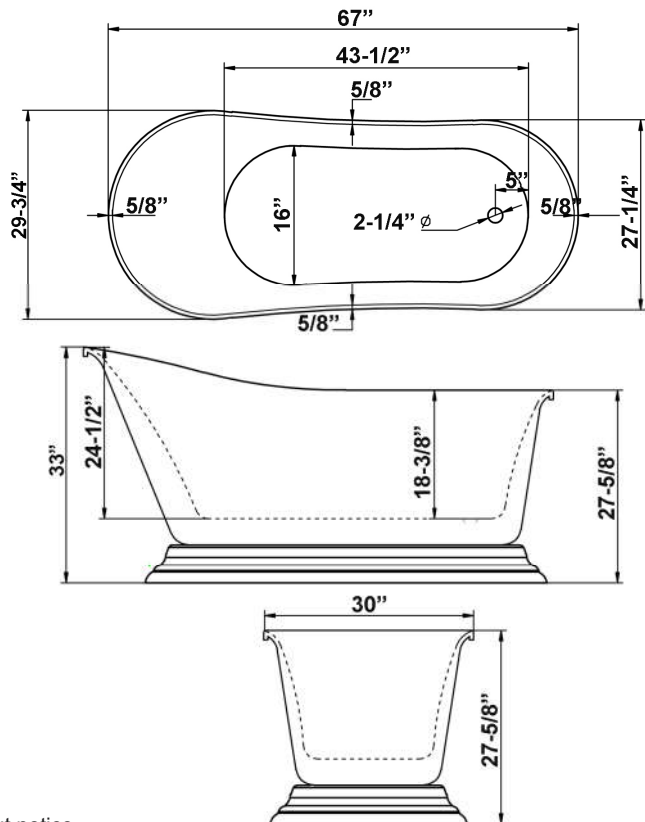
Gallon Capacity without OF:	49
Gallon Capacity with OF:	40
Shipping Weight:	425 lbs.
Empty Weight:	200 lbs.
Filled Weight without OF:	609 lbs.
Filled Weight with OF:	534 lbs.

Features:

- ▶ Interior and exterior walls acrylic sheets
- ▶ Space between walls partially filled with fiberglass & resin
- ▶ Fashionable stepped base is included
- ▶ No faucet holes
- ▶ No overflow
- ▶ Tub is thoroughly inspected before shipment



Custom Colors Available (inside of tub is always white enamel):
Painted bathtubs are considered "special order" and are not returnable
\$160 Bisque or Black \$250 Designer Color



Dimensions of fixture are nominal and specifications subject to change without notice.