

**66" LOVINA  
FREESTANDING  
ACRYLIC SLIPPER**

Cat. No.  
ATSN66E



L: 66"  
W: 29"  
H: 22-1/2" - 26"

Water depth: 16-1/4" to top of tub

**Features:**

- ▶ Acrylic construction for lighter weight
- ▶ Air between sheet provides insulation to help retain warmth
- ▶ No faucet holes
- ▶ No overflow
- ▶ Includes built-in adjusters
- ▶ Tub is thoroughly inspected before shipment
- ▶ Option to add foam insulation between walls available



**Custom Colors Available** (inside of tub is always white enamel):  
Painted bathtubs are considered "special order" and are not returnable  
\$160 Bisque or Black \$250 Designer Color

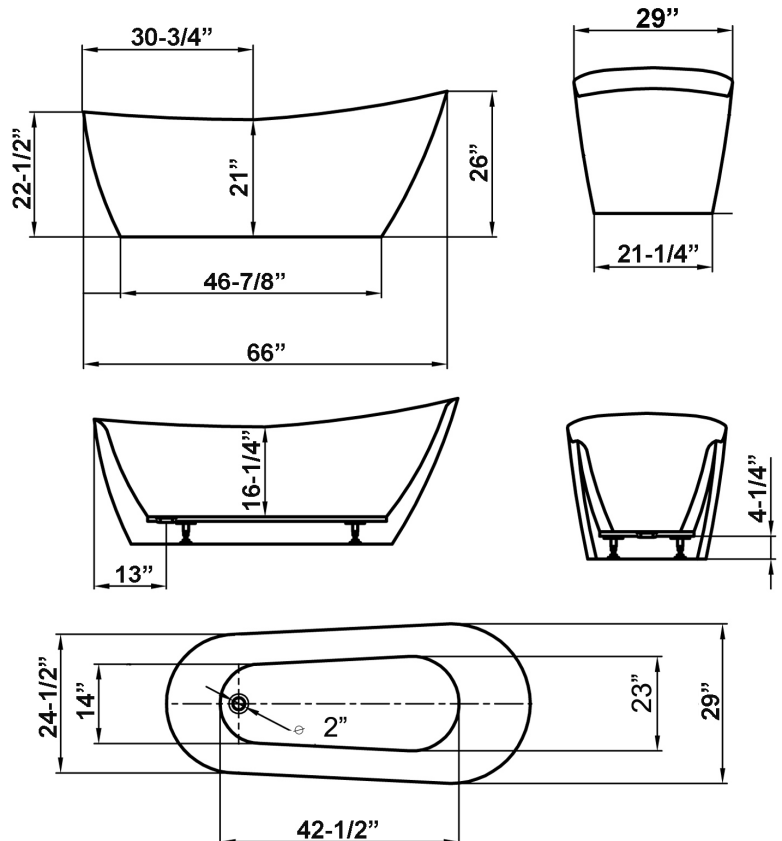
**The following is recommended for ATSN tubs:**

- Faucets: #4602 or #4604 or 7082
- Freestanding Bath Supplies: #4502
- Freestanding Faucets: #7932, 7934  
(Do not Need Bath Supplies)
- Leg tub drain: part #5599LT or 5599TS



Overflow can be drilled.  
With overflow drilled this tub requires drain 5599PD.  
**Tubs that have been drilled with overflow are "special order" and are not returnable.**

Gallon Capacity : 41  
Shipping Weight: 199 lbs.  
Empty Weight: 89 lbs.  
Filled Weight: 431 lbs.



Dimensions of fixture are nominal and specifications subject to change without notice.