

**LYDIA  
65" ACRYLIC  
SLIPPER TUB**

Cat. No.  
ATSN65



L: 65-1/2"  
W: 28-1/2"  
H: 23-1/4" - 32-1/4"

Water depth: 25-1/4" to top of tub  
Water depth: 18-3/4" to overflow

**Features:**

- ▶ Interior and exterior walls acrylic sheets
- ▶ Air between walls provides insulation to retain warmth
- ▶ Rim is 1-1/2" wide
- ▶ No faucet holes
- ▶ No overflow
- ▶ Tub is thoroughly inspected before shipment
- ▶ Option to add foam insulation between tub walls available



**Custom Colors Available** (inside of tub is always white enamel):  
Painted bathtubs are considered "special order" and are not returnable  
\$160 Bisque or Black \$250 Designer Color

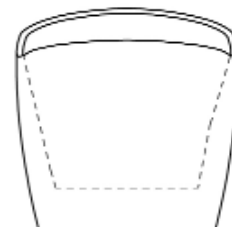
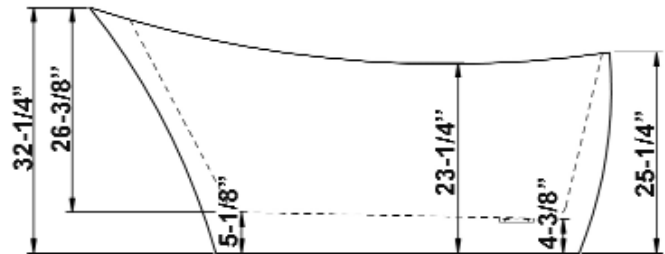
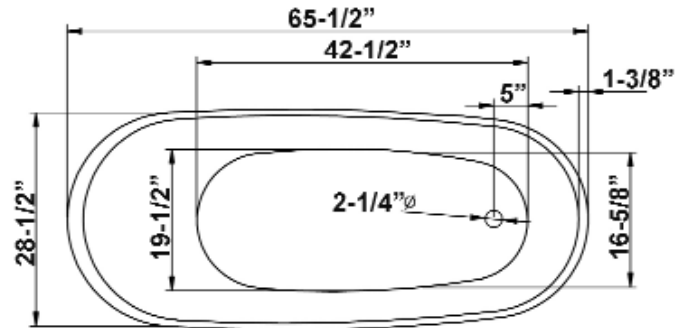
**The following is recommended for ATSN65 tubs:**

- Faucets: part #4602 or 4604
- Rigid, freestanding supplies: part #4502
- Leg tub drain: part #5599LT



Overflow can be drilled.  
With overflow drilled this tub requires drain 5599PD.  
**Tubs that have been drilled with overflow are "special order" and are not returnable.**

Gallon Capacity without OF: 46  
Gallon Capacity with OF: 39  
Shipping Weight: 178 lbs.  
Empty Weight: 93 lbs.  
Filled Weight without OF : 477 lbs.  
Filled Weight with OF: 418 lbs.



Dimensions of fixture are nominal and specifications subject to change without notice.