

55" DORCHESTER ACRYLIC SLIPPER TUB

Cat. No.
ATSN55I



L: 55"
W: 27"
H: 25" - 32-1/8" (from floor to top of tub)

Water depth: 17-1/2" to top of tub
Water depth: 13" to overflow

The following is recommended for ATSN55I tubs:

- Faucet: part #4602, #4604 or 7082
- Rigid, freestanding supplies: part #4502
- Leg tub drain: part #5599LT or 5599TS



Overflow can be drilled. With overflow drilled this tub requires drain 5599. **Tubs that have been drilled with overflow are "special order" and are not returnable.**

Gallon Capacity without OF:	42
Gallon Capacity with OF:	35
Shipping Weight:	425 lbs.
Empty Weight:	200 lbs.
Filled Weight without OF:	551 lbs.
Filled Weight with OF:	495 lbs.

Features:

- ▶ Interior and exterior walls acrylic sheets
- ▶ Space between walls partially filled with fiberglass & resin
- ▶ No faucet holes
- ▶ No overflow
- ▶ Aluminum imperial feet available in 4 finishes
- ▶ Tub is thoroughly inspected before shipment

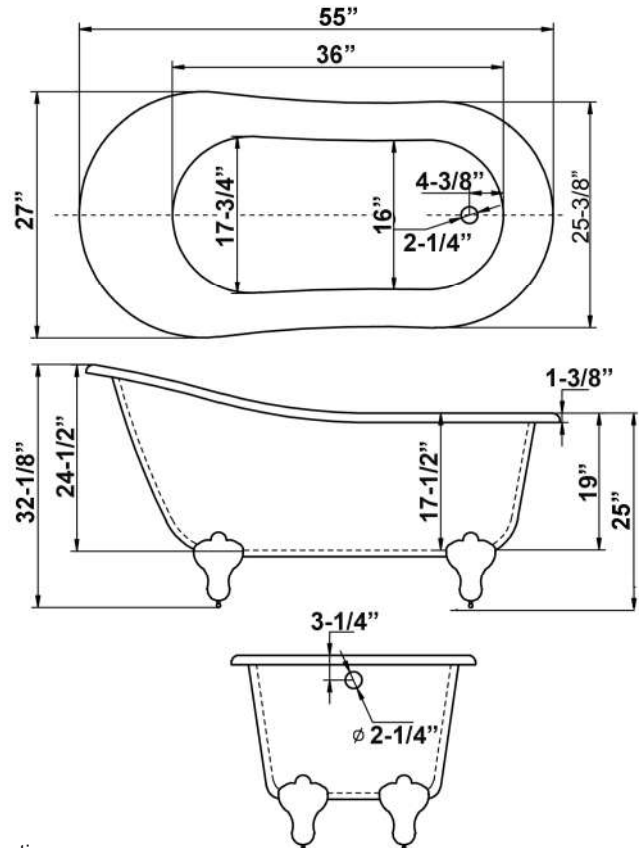
Feet Finishes:

BN Brushed Nickel
CP Polished Chrome



PB Polished Brass
ORB Oil Rubbed Bronze

Custom Colors Available (inside of tub is always white enamel):
Painted bathtubs are considered "special order" and are not returnable
\$160 Bisque or Black \$250 Designer Color



Dimensions of fixture are nominal and specifications subject to change without notice.