

**MARAKESH
68" ACRYLIC
SLIPPER TUB**

Cat. No.
ATRSN68FE



L: 67-³/₈"
W: 29-¹/₄"
H: 22-¹/₂" - 24-³/₄"

Water depth: 17-³/₈" to top of tub
Water depth: 13-¹/₈" to overflow

The following is recommended for ATRSN68FE tubs:

- Faucets: part #4602, #4604 or 7082
- Rigid, freestanding supplies: part #4502
- Leg tub drain: part #5599LT



Overflow can be drilled.
With overflow drilled this tub requires drain 5599PD.
Tubs that have been drilled with overflow are "special order" and are not returnable.

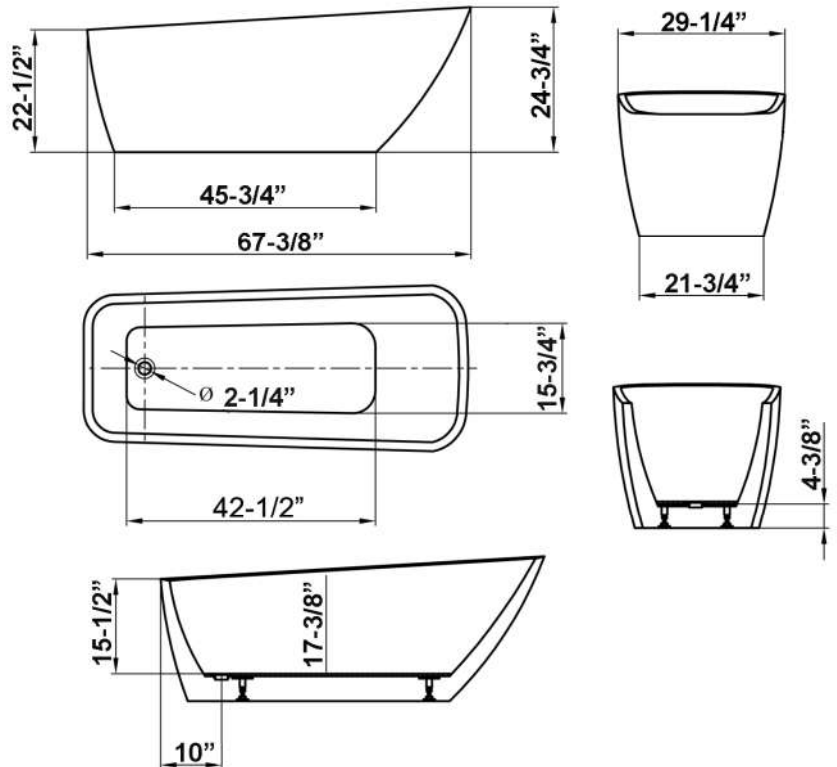
Gallon Capacity without OF: 49
Gallon Capacity with OF: 41
Shipping Weight: 302 lbs.
Empty Weight: 102 lbs.
Filled Weight without OF: 511 lbs.
Filled Weight with OF: 444 lbs.

Features:

- ▶ Interior and exterior walls acrylic sheets
- ▶ Air between sheets provides insulation to help retain warmth
- ▶ Sleek contemporary design
- ▶ No faucet holes
- ▶ No overflow
- ▶ Built-in adjusterd included
- ▶ Tub is thoroughly inspected before shipment



Custom Colors Available (inside of tub is always white enamel):
Painted bathtubs are considered "special order" and are not returnable
\$160 Bisque or Black \$250 Designer Color



Dimensions of fixture are nominal and specifications subject to change without notice.