

**67" SYDNEY  
ACRYLIC  
RECTANGULAR TUB**

Cat. No.  
ATREC7H67B



L: 66-1/2"  
W: 29-1/2"  
H: 23"

Water depth: 16" to top of tub

The following is recommended for ATREC7H 67Btubs:  
 •Faucets: part #4601 and #4201  
 •Straight Bath Supplies: part #5577  
 •Leg tub drain: part #5599LT



Overflow can be drilled .  
 With overflow drilled this tub requires drain 5599.  
**Tubs that have been drilled with overflow are "special order" and are not returnable.**

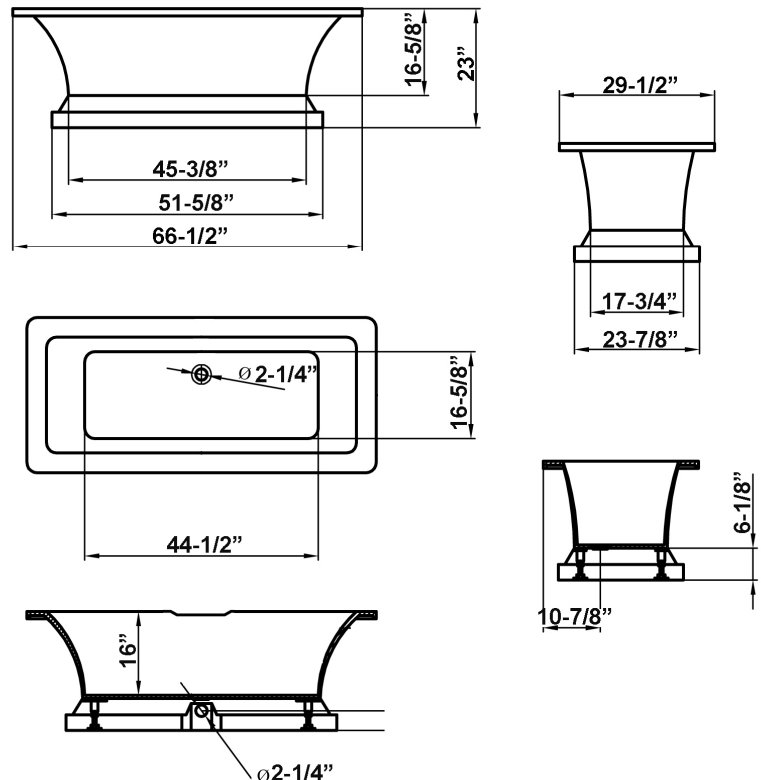
Gallon Capacity : 53  
 Shipping Weight: 336 lbs.  
 Empty Weight: 85 lbs.  
 Filled Weight: 528 lbs.

**Features:**

- ▶ Acrylic construction for lighter weight
- ▶ Fashionable base adds elegant touch
- ▶ 7" centers in tub deck
- ▶ No overflow
- ▶ Built-in adjusters included
- ▶ Tub is thoroughly inspected before shipment



**Custom Colors Available** (inside of tub is always white enamel):  
 Painted bathtubs are considered "special order" and are not returnable  
 \$160 Bisque or Black \$250 Designer Color



Dimensions of fixture are nominal and specifications subject to change without notice.