

**59" AMELIA  
ACRYLIC  
ROLL TOP TUB**

Cat. No.  
ATR7H58



L: 59"  
W: 30-1/2"  
H: 24"

Water depth: 17-3/8" to top of tub  
Water depth: 13-1/8" to overflow

**The following is recommended for ATR7H58 tubs:**

- Rim-mounted faucets: part #4601 or #4201
- Straight bath supplies: part #5577
- Leg tub drain: part #5599

Gallon Capacity: 42  
Shipping Weight: 375 lbs.  
Empty Weight: 150 lbs.  
Filled Weight: 501lbs.

**Features:**

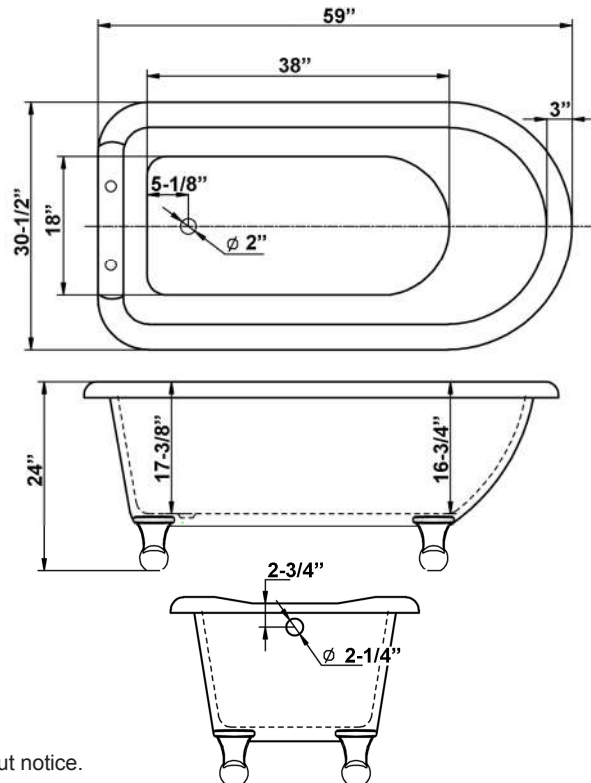
- ▶ Acrylic construction for lighter weight
- ▶ Sloped backrest for comfort
- ▶ 7" Centers in tub deck
- ▶ Pre-drilled overflow hole
- ▶ Cast aluminum ball and claw feet in 4 finishes
- ▶ Tub is thoroughly inspected before shipment



**Feet Finishes:**

**BN** Brushed Nickel                      **PB** Polished Brass  
**CP** Polished Chrome                      **ORB** Oil Rubbed Bronze

**Custom Colors Available** (inside of tub is always white enamel):  
Painted bathtubs are considered "special order" and are not returnable  
\$160 Bisque or Black \$250 Designer Color



Dimensions of fixture are nominal and specifications subject to change without notice.