

**PATRICK  
67" ACRYLIC  
OVAL TUB**

Cat. No.  
ATOVN67E



L: 67"  
W: 32"  
H: 24"

Water depth: 19" to top of tub  
Water depth: 14-1/2" to overflow

**The following is recommended for ATOVN67E tubs without faucet holes:**

- Faucets: part #4602, 4064 or 7082
- Rigid, freestanding supplies: part #4502
- Leg tub drain: part #5599LT



Overflow can be drilled.  
With overflow drilled this tub requires drain 5599PD.  
**Tubs that have been drilled with overflow are "special order" and are not returnable.**

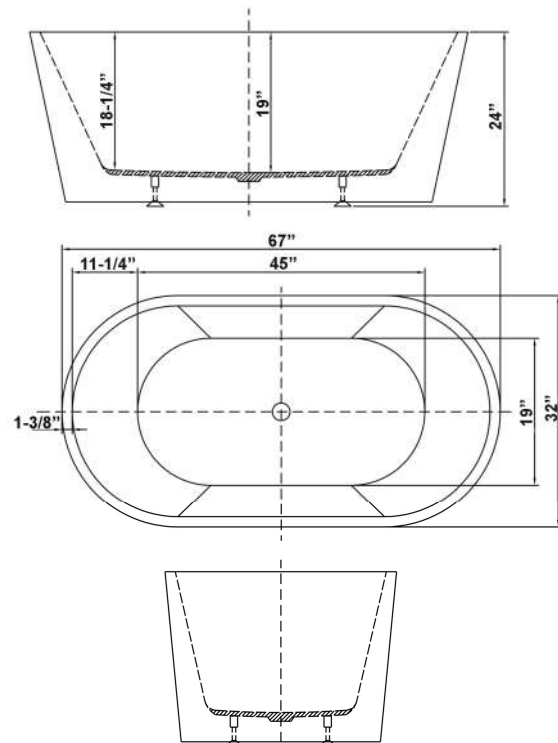
Gallon Capacity without OF:	71
Gallon Capacity with OF:	60
Shipping Weight:	232 lbs.
Empty Weight:	122 lbs.
Filled Weight without OF:	715 lbs.
Filled Weight with OF:	623 lbs.

**Features:**

- ▶ Interior and exterior walls acrylic sheets
- ▶ Air between sheets provides insulation to help retain warmth
- ▶ Rim is 1-1/2" Wide
- ▶ No faucet holes
- ▶ No overflow
- ▶ Includes built-in adjusters
- ▶ Tub is thoroughly inspected before shipment
- ▶ Option to add foam insulation between tub walls available



**Custom Colors Available** (inside of tub is always white enamel):  
Painted bathtubs are considered "special order" and are not returnable  
\$160 Bisque or Black \$250 Designer Color



Dimensions of fixture are nominal and specifications subject to change without notice.