

**SAVILLE
66" ACRYLIC
OVAL TUB**

Cat. No.
ATOVN66MF



L: 66"
W: 30-1/2"
H: 21-1/2"

Water depth: 17" to top of tub
Water depth: 12-1/2" to overflow

The following is recommended for ATOVN66MF tubs:

- Faucets: part #7901 or 7913
- Leg tub drain: part #5599LT



Overflow can be drilled. With overflow drilled this tub requires drain 599PD or 5599HD. **Tubs that have been drilled with overflow are "special order" and are not returnable.**

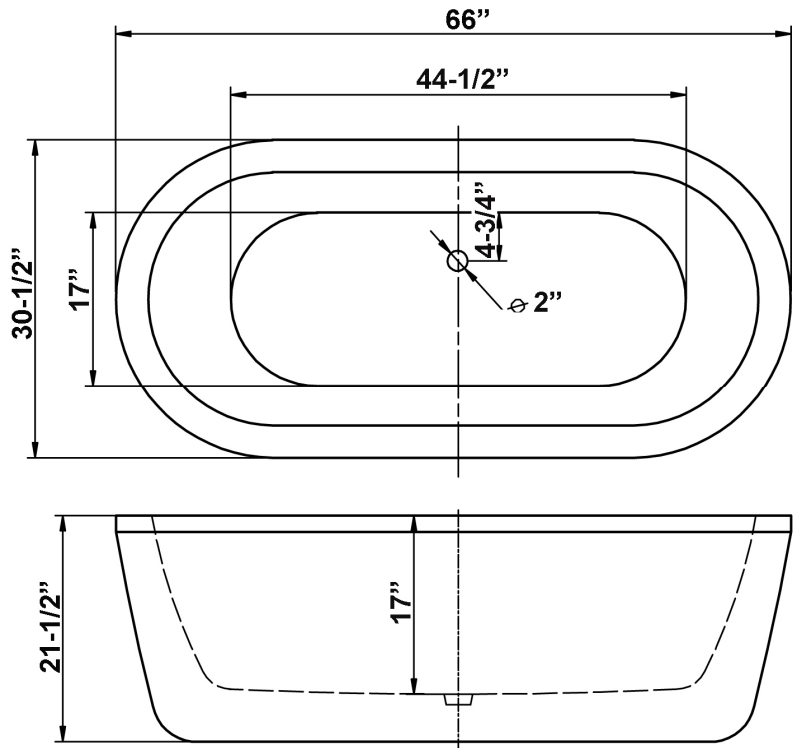
Gallon Capacity without OF:	55
Gallon Capacity with OF:	46
Shipping Weight:	300 lbs.
Empty Weight:	75 lbs.
Filled Weight without OF:	535 lbs.
Filled Weight with OF:	459 lbs.

Features:

- ▶ Interior and exterior walls acrylic sheets
- ▶ Air between sheets provides insulation to help retain warmth
- ▶ No faucet holes
- ▶ No overflow
- ▶ IAPMO certified
- ▶ Tub is thoroughly inspected before shipment
- ▶ Option to add foam insulation between tub walls available



Custom Colors Available (inside of tub is always white enamel):
Painted bathtubs are considered "special order" and are not returnable
\$160 Bisque or Black \$250 Designer Color



Dimensions of fixture are nominal and specifications subject to change without notice.