

**PILAR
65" ACRYLIC
OVAL TUB**

Cat. No.
ATOVN65F



L: 65"
W: 29-1/2"
H: 22-1/4"

Water depth: 17" to top of tub
Water depth: 12-1/2" to overflow
Optional OF: is 2" below tub rim

The following is recommended for ATOVN65F tubs:

- Faucets: #4602, 4022 or 4025
- Rigid freestanding Supplies: #4502
- Freestanding Faucets: #7932, 7934 (Do Not Need Bath Supplies)
- Leg tub drain: part #5599LT or 5599TS



Overflow can be drilled.
With overflow drilled this tub requires drain 5599PD.
Tubs that have been drilled with overflow are "special order" and are not returnable.

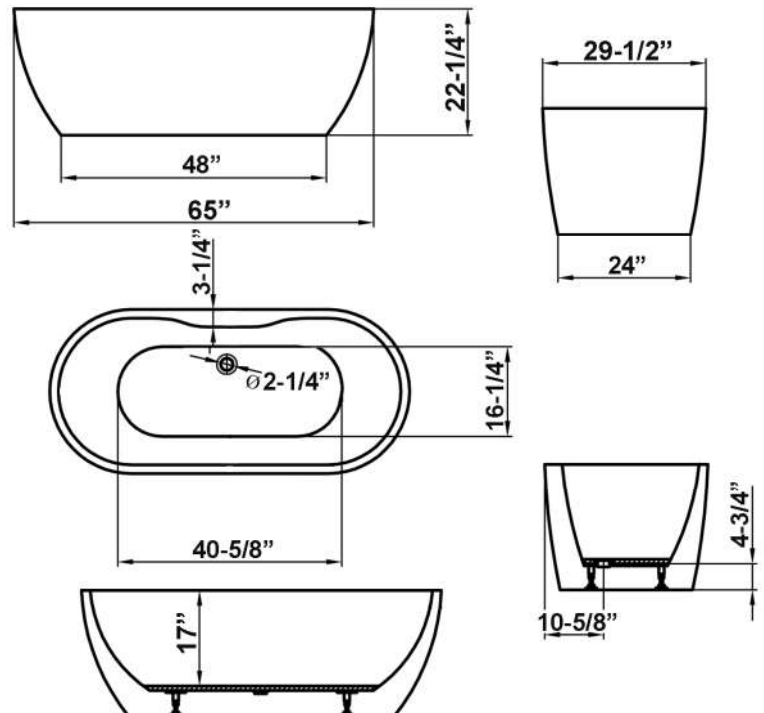
Gallon Capacity without OF: 50
Gallon Capacity with OF: 39
Shipping Weight: 285 lbs.
Empty Weight: 85 lbs.
Filled Weight without OF: 503 lbs.
Filled Weight with OF: 410 lbs.

Features:

- ▶ Acrylic construction for lighter weight
- ▶ Air between sheet provides insulation to help retain warmth
- ▶ No faucet holes with tap deck
- ▶ No overflow
- ▶ IAPMO certified
- ▶ For use with a freestanding tub filler or faucet mounted on the bathroom wall
- ▶ Option to add foam insulation between tub walls available



Custom Colors Available (inside of tub is always white enamel):
Painted bathtubs are considered "special order" and are not returnable
\$160 Bisque or Black \$250 Designer Color



Dimensions of fixture are nominal and specifications subject to change without notice.