

**PASCAL
63" ACRYLIC
OVAL TUB**

Cat. No.
ATOVN63E



L: 63"
W: 32"
H: 24"

Water depth: 18-3/4" to top of tub
Water depth: 14-1/4" to Overflow

The following is recommended for ATOVN63E tubs:

- Faucets: part #4602, 4604 or 7082
- Rigid, freestanding supplies: part #4502
- Leg tub drain: part #5599LT



Overflow can be drilled.
With overflow drilled this tub requires drain 5599PD.
Tubs that have been drilled with overflow are "special order" and are not returnable.

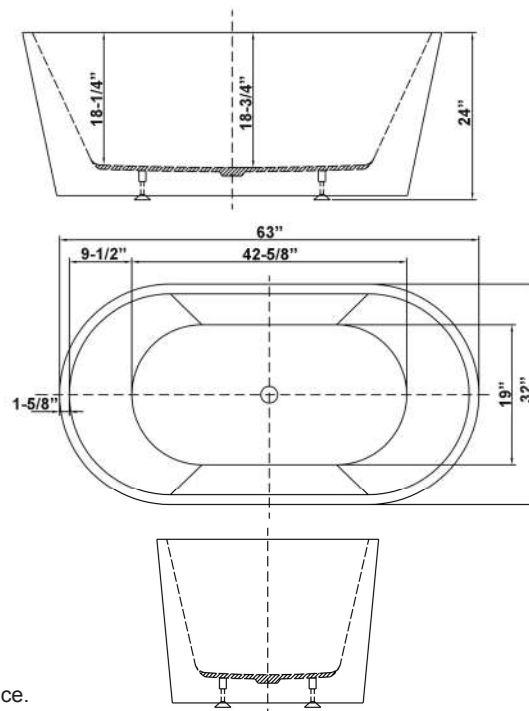
Gallon Capacity without OF:	61
Gallon Capacity with OF:	51
Shipping Weight:	218 lbs.
Empty Weight:	108 lbs.
Filled Weight without OF:	617 lbs.
Filled Weight with OF:	534 lbs.

Features:

- ▶ Interior and exterior walls acrylic sheets
- ▶ Air between sheets provides insulation to help retain warmth
- ▶ Rim is 1-1/4" Wide
- ▶ No faucet holes
- ▶ No overflow
- ▶ Includes built-in adjusters
- ▶ Option to add foam insulation between tub walls available
- ▶ Tub is thoroughly inspected before shipment



Custom Colors Available (inside of tub is always white enamel):
Painted bathtubs are considered "special order" and are not returnable
\$160 Bisque or Black \$250 Designer Color



Dimensions of fixture are nominal and specifications subject to change without notice.