

**OPUS  
59" ACRYLIC  
OVAL TUB**

Cat. No.  
ATOVN59MF



L: 58-5/8"  
W: 31-1/2"  
H: 23"

Water depth: 16-5/8" to top of tub  
Water depth: 12-1/8" to overflow

**The following is recommended for ATOVN59MF tubs:**  
 •Faucets: part #7901 or 7913  
 •Leg tub drain: part #5599LT



Overflow can be drilled.  
 With overflow drilled this tub requires drain 5599PD or 5599HD.  
**Tubs that have been drilled with overflow are "special order" and are not returnable.**

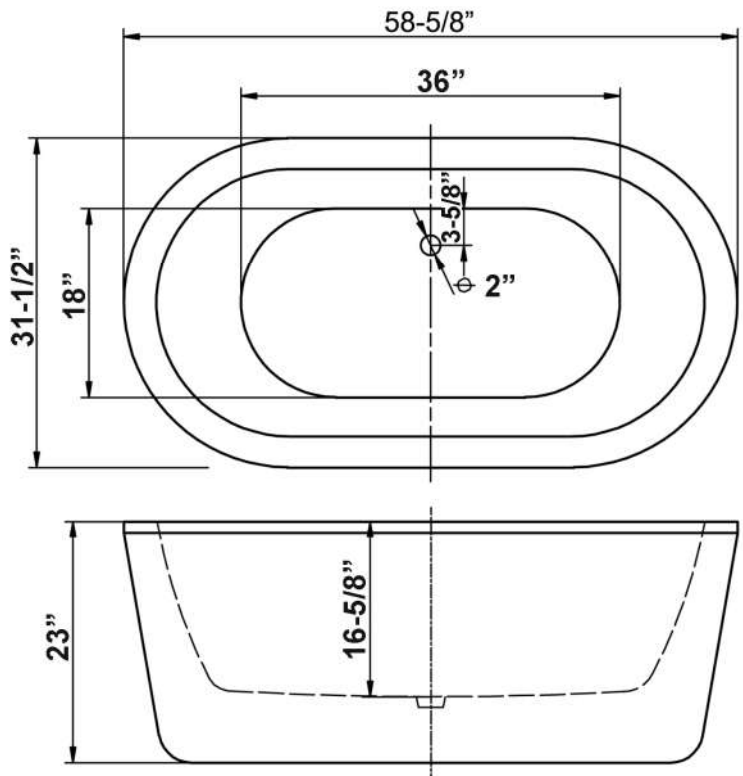
Gallon Capacity without OF: 50  
 Gallon Capacity with OF: 41  
 Shipping Weight: 300 lbs.  
 Empty Weight: 75 lbs.  
 Filled Weight without OF: 493 lbs.  
 Filled Weight with OF: 417lbs.

**Features:**

- ▶ Interior and exterior walls acrylic sheets
- ▶ Air between sheets provides insulation to help retain warmth
- ▶ No faucet holes
- ▶ No overflow
- ▶ IAPMO certified
- ▶ Tub is thoroughly inspected before shipment
- ▶ Option to add foam insulation between tub walls available



**Custom Colors Available** (inside of tub is always white enamel):  
 Painted bathtubs are considered "special order" and are not returnable  
 \$160 Bisque or Black \$250 Designer Color



Dimensions of fixture are nominal and specifications subject to change without notice.