

**56" PAN ACRYLIC  
FREESTANDING TUB**

Cat. No  
ATOVN56B



L: 55-1/2"  
W: 29"  
H: 22"

Water Depth: 16-5/8" to top of tub  
Water Depth: 12-1/8" to overflow

**The following is recommended for ATOVN56B tubs:**

- Faucets: part #4602, 4022 and 4025
- Freestanding Supplies: #4502
- Leg tub drain: part #5599LT or 5599TS



Overflow can be drilled.  
With overflow drilled this tub requires drain 5599PD.  
**Tubs that have been drilled with overflow are "special order" and are not returnable.**

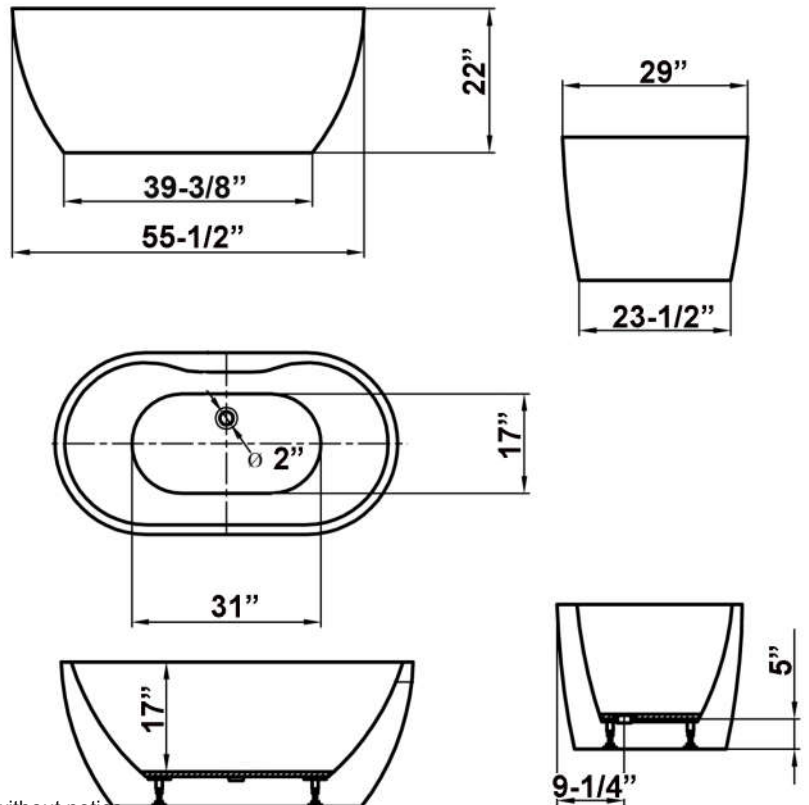
Gallon Capacity without OF:	39
Gallon Capacity with OF:	29
Shipping Weight:	170 lbs.
Empty Weight:	70 lbs.
Filled Weight without OF:	396 lbs.
Filled Weight with OF:	313 lbs.

**Features:**

- ▶ Acrylic construction for lighter weight
- ▶ Air between sheets provide insulation to help retain warmth
- ▶ No faucet holes
- ▶ No overflow
- ▶ IAPMO Certified
- ▶ For use with a freestanding tub filler or faucet mounted on the bathroom wall
- ▶ Option to add foam insulation between tub walls available



**Custom Colors Available** (inside of tub is always white enamel):  
Painted bathtubs are considered "special order" and are not returnable  
\$160 Bisque or Black \$250 Designer Color



Dimensions of fixture are nominal and specifications subject to change without notice.