

**OGDEN 55"  
FREESTANDING  
ACRYLIC TUB**

Cat. No.  
ATOVN55I



L: 55"  
W: 27"  
H: 23"

Water depth: 17-1/8" to top of tub  
Water depth: 12-5/8" to overflow

**The following is recommended for ATOVN55I tubs:**

- Faucets: part #4602,
- Rigid, freestanding supplies: part #4502
- Leg tub drain: part #5599LT or 5599TS



Overflow can be drilled. With overflow drilled this tub requires drain 5599PD or 5599HD. **Tubs that have been drilled with overflow are "special order" and are not returnable.**

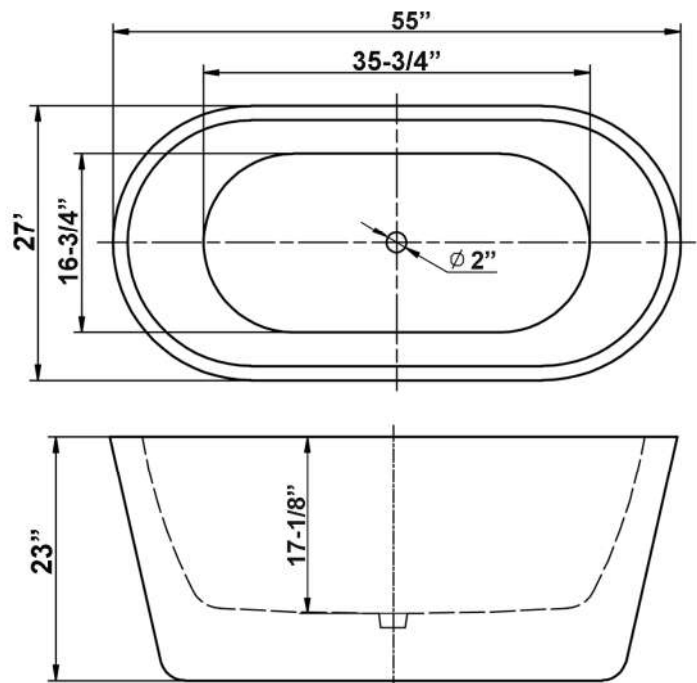
Gallon Capacity without OF:	44
Gallon Capacity with OF:	36
Shipping Weight:	200 lbs.
Empty Weight:	90 lbs.
Filled Weight without OF:	457 lbs.
Filles Weight with OF:	391 lbs.

**Features:**

- ▶ Interior and exterior walls acrylic sheets
- ▶ Air between walls provides insulation to help retain warmth
- ▶ Tub rim is 1-1/4" wide
- ▶ No faucet holes
- ▶ No overflow
- ▶ Includes built-in adjusters
- ▶ Tub is thoroughly inspected before shipment
- ▶ Option to add foam insulation between tub walls available



**Custom Colors Available** (inside of tub is always white enamel):  
Painted bathtubs are considered "special order" and are not returnable  
\$160 Bisque or Black \$250 Designer Color



Dimensions of fixture are nominal and specifications subject to change without notice.