

**OLLIE 55"  
FREESTANDING  
ACRYLIC TUB**

Cat. No.  
ATOVN55



L: 55"  
W: 26-3/4"  
H: 23"

Water depth: 17" to top of tub  
Water depth: 12-1/2" to overflow

**The following is recommended for ATOVN tubs:**

- Faucets: part #4602
- Rigid, freestanding supplies: part #4502
- Leg tub drain: part #5599LT



Overflow can be drilled.  
With overflow drilled this tub  
requires drain 5599PD.  
**Tubs that have been  
drilled with overflow are  
"special order" and  
are not returnable.**

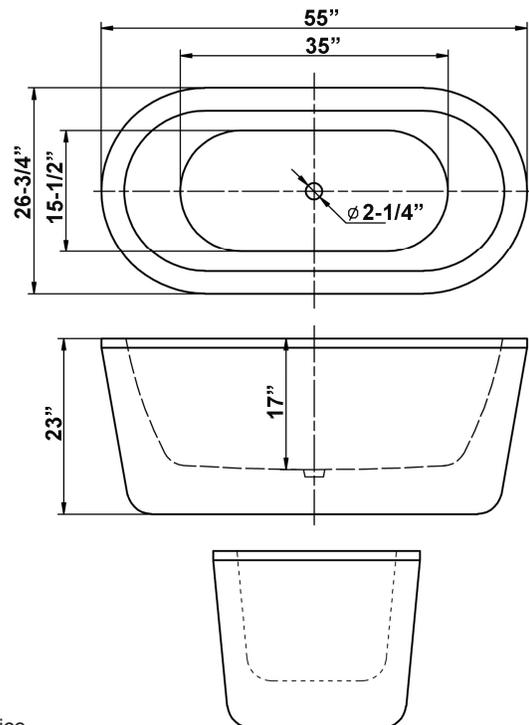
Gallon Capacity without OF:	40
Gallon Capacity with OF:	34
Shipping Weight:	288 lbs.
Empty Weight:	88 lbs.
Filled Weight without OF:	422 lbs.
Filled Weight with OF:	372 lbs.

**Features:**

- ▶ Interior and exterior walls acrylic sheets
- ▶ Air between walls provides insulation to help retain warmth
- ▶ Tub rim is 3" wide
- ▶ No faucet holes
- ▶ No overflow
- ▶ IAPMO certified
- ▶ Includes built-in adjusters
- ▶ Tub is thoroughly inspected before shipment
- ▶ Option to add foam insulation between tub walls available



**Custom Colors Available** (inside of tub is always white enamel):  
Painted bathtubs are considered "special order" and are not returnable  
\$160 Bisque or Black \$250 Designer Color



Dimensions of fixture are nominal and specifications subject to change without notice.