

# 61" PENNEY ACRYLIC OVAL TUB

Cat. No.  
ATOV7H61F



L: 60-<sup>3</sup>/<sub>4</sub>"  
W: 29-<sup>3</sup>/<sub>8</sub>"  
H: 22-<sup>1</sup>/<sub>4</sub>"

Water depth: 16-<sup>3</sup>/<sub>4</sub>" to top of tub  
Water depth: 12-<sup>1</sup>/<sub>4</sub>" to overflow

**The following is recommended for ATOV7H61F tubs:**

- Faucets: part #4601,4603,4062 or 4064
- Requires flexible Supplies
- Leg tub drain: part #5599LT or 5599TS



Overflow can be drilled.  
With overflow drilled this tub requires drain 5599PD.  
**Tubs that have been drilled with overflow are "special order" and are not returnable.**

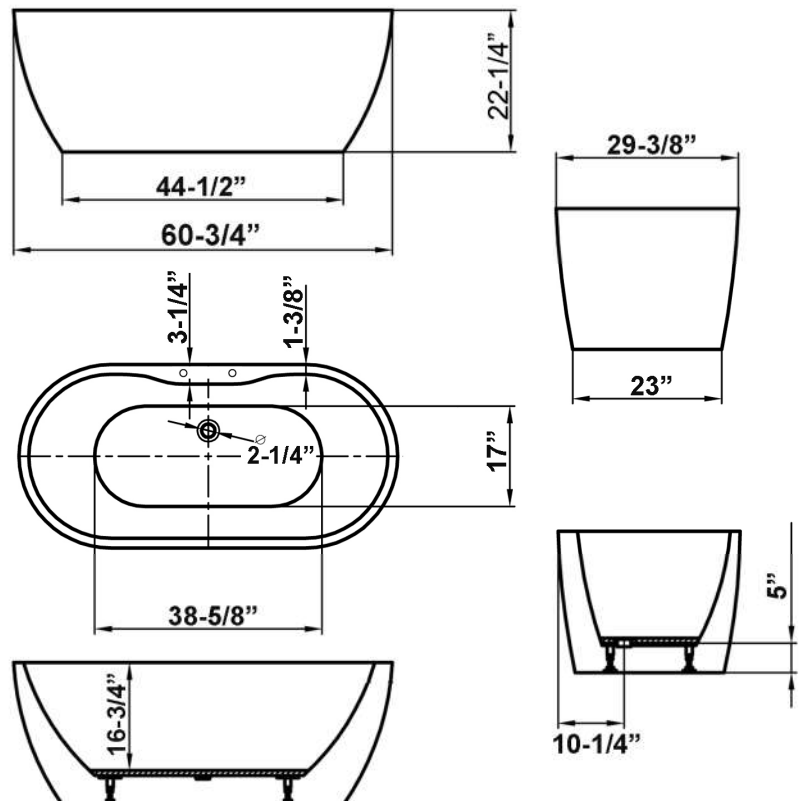
Gallon Capacity without OF:	45
Gallon Capacity with OF:	35
Shipping Weight:	285 lbs.
Empty Weight:	85 lbs.
Filled Weight without OF:	461 lbs.
Filled Weight with OF:	378 lbs.

## Features:

- ▶ Acrylic construction for lighter weight
- ▶ Air between sheets provides insulation to help retain warmth
- ▶ 7" centers in tub deck
- ▶ No overflow
- ▶ 3-<sup>1</sup>/<sub>4</sub>" Tap deck
- ▶ IAPMO certified
- ▶ Includes built in adjusters
- ▶ Option to add foam insulation between tub walls available
- ▶ For use with a faucet mounted on tub deck
- ▶ Requires flexible supplies



**Custom Colors Available** (inside of tub is always white enamel):  
Painted bathtubs are considered "special order" and are not returnable  
\$160 Bisque or Black \$250 Designer Color



Dimensions of fixture are nominal and specifications subject to change without notice.