

**56" PAN ACRYLIC  
FREESTANDING TUB**

Cat. No.  
ATOV7H56B



L: 55-1/2"  
W: 29"  
H: 22"

Water Depth: 16-5/8" to top of tub  
Water Depth: 12-1/8" to overflow

**Features:**

- ▶ Acrylic construction for lighter weight
- ▶ Air between sheet provides insulation to help retain warmth
- ▶ 7" centers on tap deck
- ▶ No overflow
- ▶ IAPMO Certified
- ▶ Option to add foam insulation between tub walls available



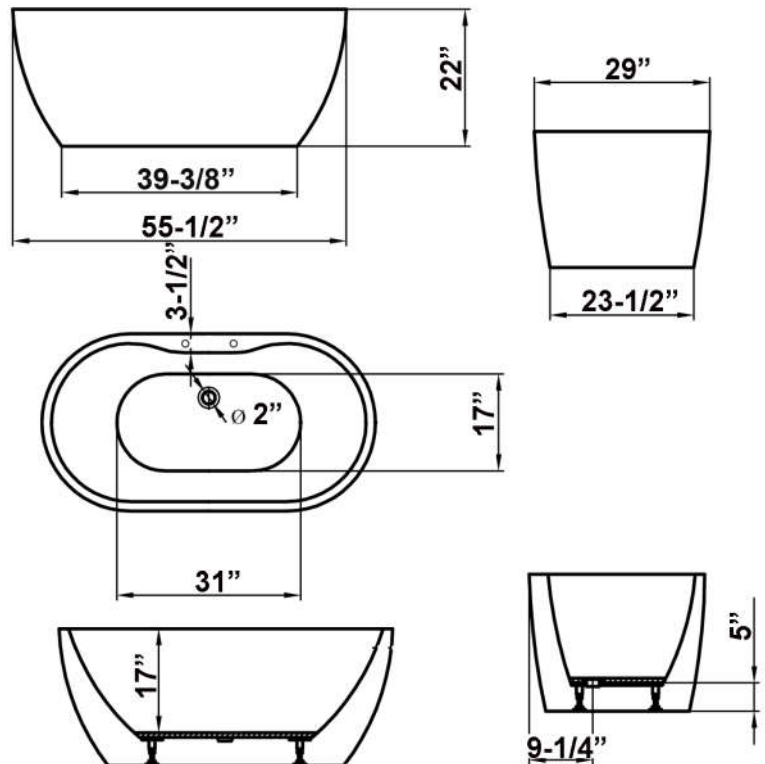
**Custom Colors Available** (inside of tub is always white enamel):  
Painted bathtubs are considered "special order" and are not returnable  
\$160 Bisque or Black \$250 Designer Color

**The following is recommended for ATOV7H56B tubs:**  
Faucet: part #4061, 4603, 4062 or 4064  
•Requires flexible Supplies  
•Leg tub drain: part #5599LT or 5599TS



Overflow can be drilled.  
With overflow drilled this tub requires drain 5599PD.  
**Tubs that have been drilled with overflow are "special order" and are not returnable.**

Gallon Capacity without OF: 39  
Gallon Capacity with OF: 29  
Shipping Weight: 170 lbs.  
Empty Weight: 70 lbs.  
Filled Weight without OF: 396 lbs.  
Filled Weight with OF: 313 lbs.



Dimensions of fixture are nominal and specifications subject to change without notice.