

71" MARYLIN FREESTANDING ACRYLIC SLIPPER

Cat. No.
ATFSN71S



L: 71"
W: 31-1/4"
H: 28"

Water Depth: 23-1/2" to top of tub
Water Depth: 18-7/8" to overflow

The following is recommended for ATFSN tubs:

- Faucet: #4602 or #4604 or 7082
- Rigid, freestanding supplies: part #4502
- Freestanding fillers: part #7932, 7934 or 7952 (Does not need bath supplies)
- Leg tub drain: part #5599LT or 5599TS



Overflow can be drilled.
With overflow drilled this tub requires drain 5599PD.
Tubs that have been drilled with overflow are "special order" and are not returnable.

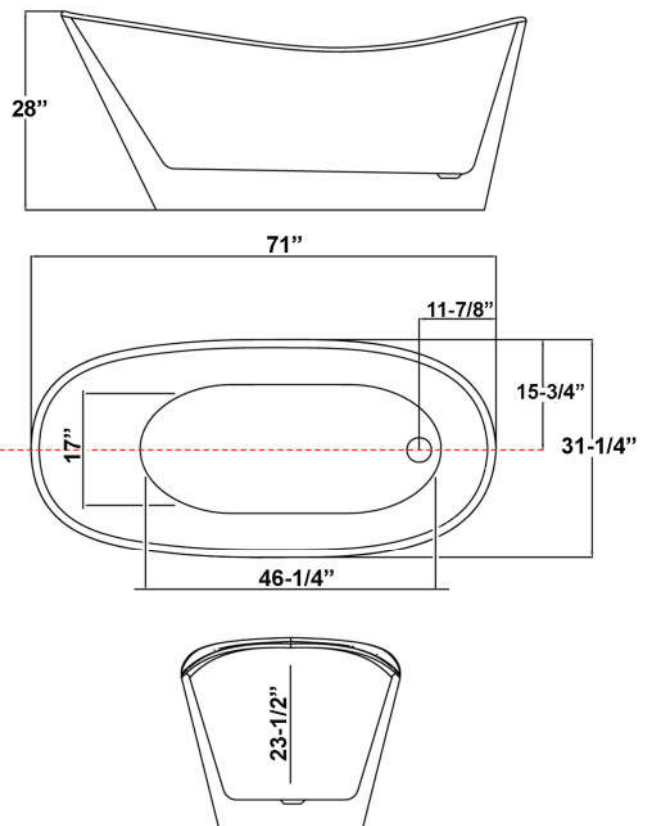
Gallon Capacity : 59
Shipping Weight: 218 lbs.
Empty Weight: 108 lbs.
Filled Weight: 601 lbs.

Features:

- ▶ Acrylic construction for lighter weight
- ▶ Air between sheet provides insulation to help retain warmth
- ▶ No faucet holes
- ▶ No overflow
- ▶ Includes built-in adjusters
- ▶ Tub is thoroughly inspected before shipment
- ▶ Option to add foam insulation between wall available



Custom Colors Available (inside of tub is always white enamel):
Painted bathtubs are considered "special order" and are not returnable
\$160 Bisque or Black \$250 Designer Color



Dimensions of fixture are nominal and specifications subject to change without notice.