

**65" MALINDA  
FREESTANDING  
ACRYLIC SLIPPER**

Cat. No.  
ATFSN67S



L: 65-1/4"  
W: 28-1/4"  
H: 24-1/4" and 29"

Water Depth: 17-5/8" to top of tub  
Water Depth: 13-1/8" to overflow

**The following is recommended for ATFSN tubs:**

- Faucets:part #4602 or #4604
- Rigid freestanding supplies:part #4502
- Freestanding filler:part #7932, 7934 or 7952  
(Does not Need Bath Supplies)
- Leg tub drain: part #5599LT or 5599TS



Overflow can be drilled.  
With overflow drilled this tub  
requires drain 5599PD.  
**Tubs that have been  
drilled with overflow are  
"special order" and  
are not returnable.**

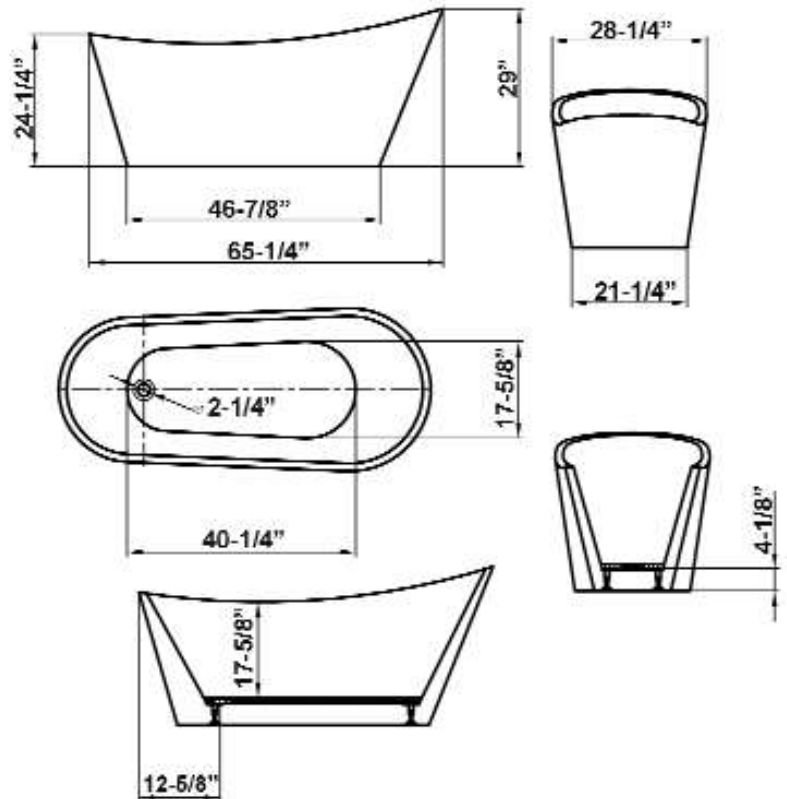
Gallon Capacity : 55  
Shipping Weight: 215 lbs.  
Empty Weight: 105 lbs.  
Filled Weight: 564 lbs.

**Features:**

- ▶ Acrylic construction for lighter weight
- ▶ Air between sheet provides insulation to help retain warmth
- ▶ No faucet holes
- ▶ No overflow
- ▶ Includes built-in adjusters
- ▶ Tub is thoroughly inspected before shipment
- ▶ Option to add foam insulation between wall available



**Custom Colors Available** (inside of tub is always white enamel):  
Painted bathtubs are considered "special order" and are not returnable  
\$160 Bisque or Black \$250 Designer Color



Dimensions of fixture are nominal and specifications subject to change without notice.