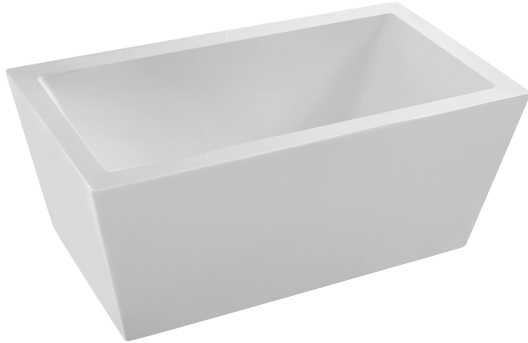


67" STANNARD ACRYLIC FREESTANDING RECTANGULAR TUB

Cat. No.
ATFRECN67E



L: 67"
W: 32"
H: 23"

Water depth: 19" to top of tub
Water depth: 16-1/4" to overflow

The following is recommended for ATFRECN67E tubs:

- Faucet: part #7901 or 7913
- Leg tub drain: part #5599LT or 5599TS



Overflow can be drilled. With overflow drilled this tub requires drain 5599PD. **Tubs that have been drilled with overflow are "special order" and are not returnable.**

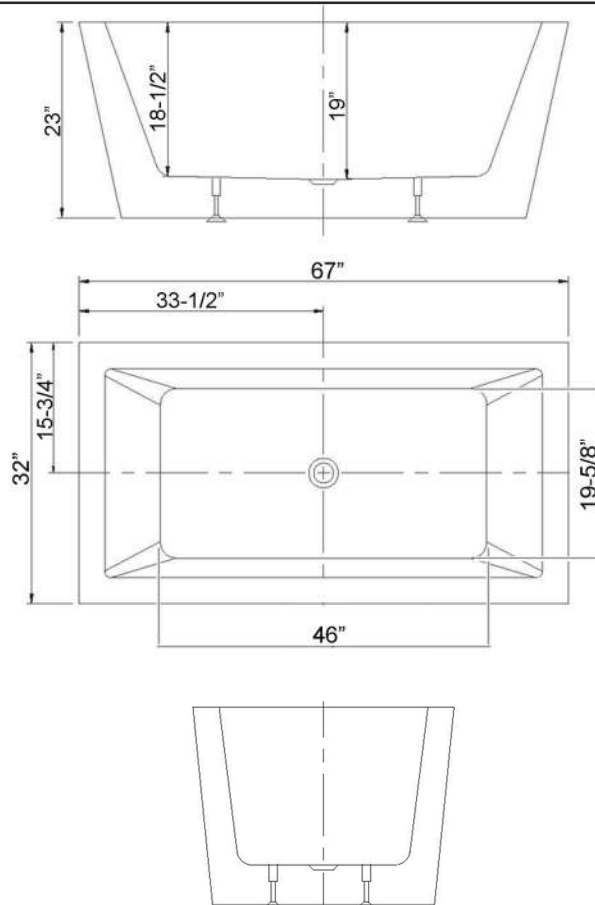
Gallon Capacity without OF:	70
Gallon Capacity with OF:	59
Shipping Weight:	221 lbs.
Empty Weight:	121 lbs.
Filled Weight without OF:	706 lbs.
Filled Weight with OF:	644 lbs.

Features:

- ▶ Interior and exterior walls acrylic sheets
- ▶ Air between sheets provides insulation to help retain warmth
- ▶ Rim is 3" Wide
- ▶ No faucet holes
- ▶ No overflow
- ▶ Includes built-in adjusters
- ▶ Tub is thoroughly inspected before shipment



Custom Colors Available (inside of tub is always white enamel):
Painted bathtubs are considered "special order" and are not returnable
\$160 Bisque or Black \$250 Designer Color



Dimensions of fixture are nominal and specifications subject to change without notice.