

**SORLEY 67”
RECTANGULAR
ACRYLIC TUB**

Cat. No.
ATFRECN67A



L: 67”
W: 32”
H: 24”

Water depth: 18-1/2” to top of tub
Water depth: 14” to overflow

Features:

- ▶ Interior and exterior walls acrylic sheets
- ▶ Air between sheets provides insulation to retain warmth
- ▶ Rim ends are 2-3/4” wide side are 1-1/8”
- ▶ No faucet holes
- ▶ No overflow
- ▶ Includes built-in adjusters
- ▶ Tub is thoroughly inspected before shipment
- ▶ Option to add foam insulation between tub walls available



Custom Colors Available (inside of tub is always white enamel):
Painted bathtubs are considered “special order” and are not returnable
\$160 Bisque or Black \$250 Designer Color

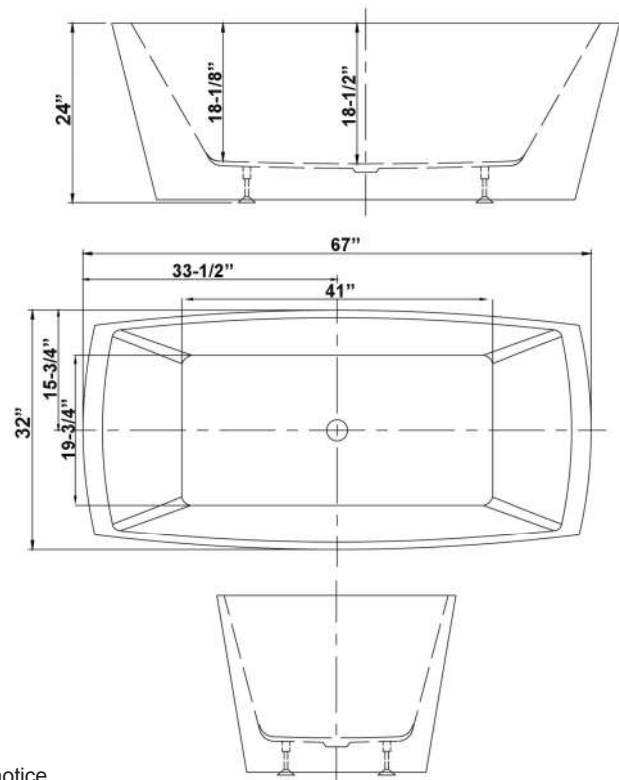
**The following is recommended for
ATFRECN67A tubs:**

- Faucet: part #7901 or 7913
- Leg tub drain: part #5599LT or 5599TS



Overflow can be drilled.
With overflow drilled this tub
requires drain 5599PD.
**Tubs that have been
drilled with overflow are
“special order” and
are not returnable.**

Gallon Capacity without OF: 59
Gallon Capacity with OF: 50
Shipping Weight: 234 lbs.
Empty Weight: 124 lbs.
Filled Weight without OF: 617 lbs.
Filled Weight with OF: 542 lbs.



Dimensions of fixture are nominal and specifications subject to change without notice.