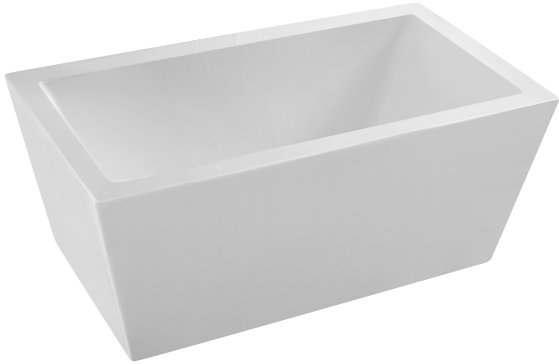


59" SHELDON ACRYLIC FREESTANDING RECTANGULAR TUB

Cat. No.
ATFRECN59E



L: 59"
W: 32"
H: 24"

Water depth: 19" to top of tub
Water depth: 14-1/2" to overflow

The following is recommended for ATFRECN59E tubs:

- Faucet: part #7901 or 7913
- Leg tub drain: part #5599LT or 5599TS



Overflow can be drilled.
With overflow drilled this tub requires drain 5599PD.
Tubs that have been drilled with overflow are "special order" and are not returnable.

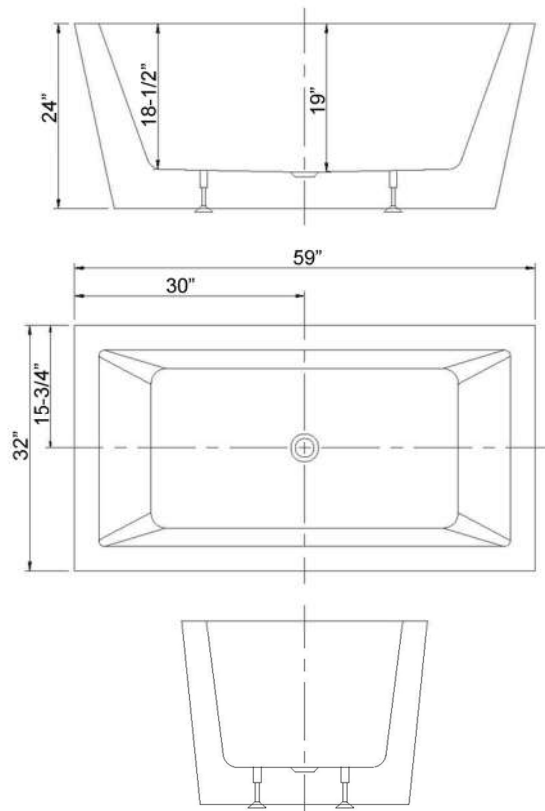
Gallon Capacity without OF:	55
Gallon Capacity with OF:	47
Shipping Weight:	251 lbs.
Empty Weight:	151 lbs.
Filled Weight without OF:	610 lbs.
Filled Weight with OF:	514 lbs.

Features:

- ▶ Interior and exterior walls acrylic sheets
- ▶ Air between sheets provides insulation to help retain warmth
- ▶ Rim is 3-1/4" Wide
- ▶ No faucet holes
- ▶ No overflow
- ▶ Includes built-in adjusters
- ▶ Tub is thoroughly inspected before shipment



Custom Colors Available (inside of tub is always white enamel):
Painted bathtubs are considered "special order" and are not returnable
\$160 Bisque or Black \$250 Designer Color



Dimensions of fixture are nominal and specifications subject to change without notice.