

**MONTEBELLO
ACRYLIC DOUBLE
SLIPPER TUB**

Cat. No.
ATDSN69B



L: 69"
W: 28-1/2"
H: 28-3/8"

Water depth: 16-5/8" to top of tub
Water depth: 12-1/8" to overflow

The following is recommended for ATDSN tubs:

- Faucets: part #4602, #4604 or #7082
- Use with Freestanding Bath Supplies: part #4502
- Leg tub drain: part #5599LT or #5599TS



Overflow can be drilled.
With overflow drilled this tub requires drain **5599**.
Tubs that have been drilled with overflow are "special order" and are not returnable.

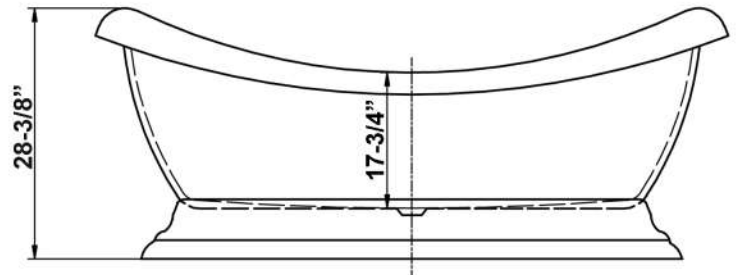
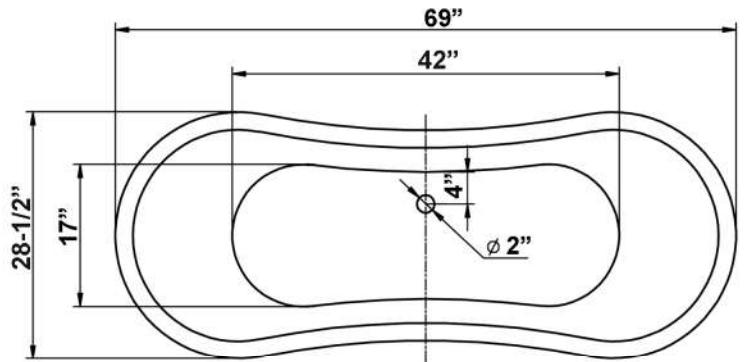
Gallon Capacity without OF: 53
Gallon Capacity with OF: 44
Shipping Weight: 296 lbs.
Empty Weight: 100 lbs.
Filled Weight without OF: 543 lbs.
Filled Weight with OF: 468 lbs.

Features:

- ▶ Interior and exterior walls acrylic sheets
- ▶ Space between walls partially filled with fiberglass & resin
- ▶ No faucet holes
- ▶ No overflow
- ▶ Includes base
- ▶ Tub is thoroughly inspected before shipment
- ▶ Continuous rolled rim



Custom Colors Available (inside of tub is always white enamel):
Painted bathtubs are considered "special order" and are not returnable
\$160 Bisque or Black \$250 Designer Color



Dimensions of fixture are nominal and specifications subject to change without notice.