

**MONTEBELLO  
ACRYLIC DOUBLE  
SLIPPER TUB**

Cat. No.  
ATDS7H69B



L: 69"  
W: 28-1/2"  
H: 28-3/8"

Water depth: 16-5/8" to top of tub  
Water depth: 12-1/8" to overflow

**Features:**

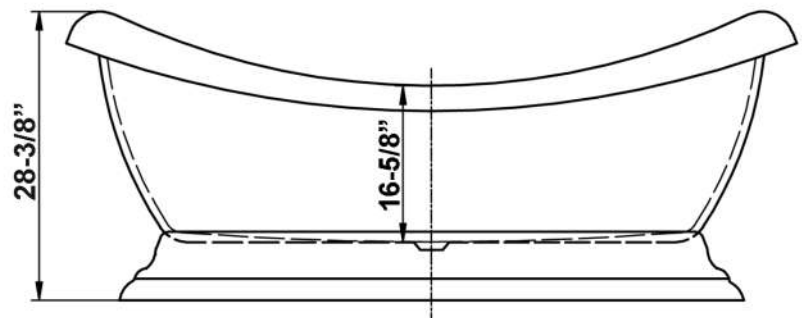
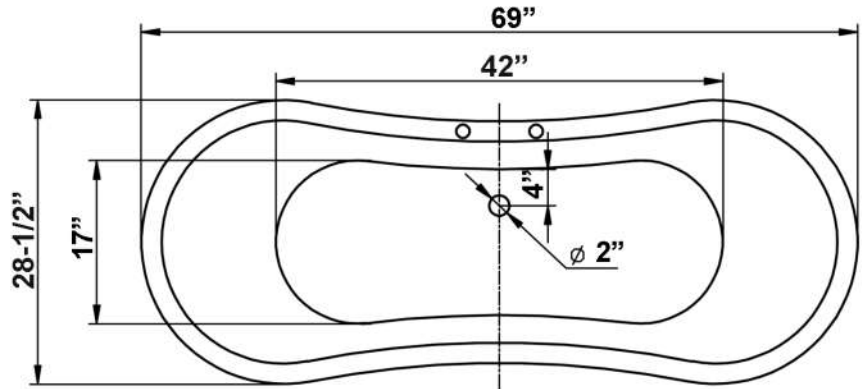
- ▶ Interior and exterior walls acrylic sheets
- ▶ Space between walls is partially filled with fiberglass & resin
- ▶ 7" centers in tub deck
- ▶ Includes base
- ▶ Tub is thoroughly inspected before shipment



**Custom Colors Available** (inside of tub is always white enamel):  
Painted bathtubs are considered "special order" and are not returnable  
\$160 Bisque or Black \$250 Designer Color

**The following is recommended for ATDS7H tubs:**

- Faucets: part #4601 and #4201
- Use with Straight Bath Supplies: part #5577
- Leg tub drain: part #5599



Gallon Capacity: 53  
Shipping Weight: 296 lbs.  
Empty Weight: 100 lbs.  
Filled Weight: 543 lbs.

Dimensions of fixture are nominal and specifications subject to change without notice.