

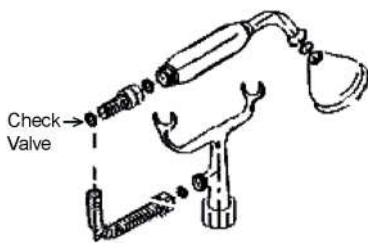
# TUB WALL MOUNTED FAUCET WITH HAND SHOWER

Cat. No.

4025



W: 9"  
D: 7-1/2"  
H: 12-1/2"



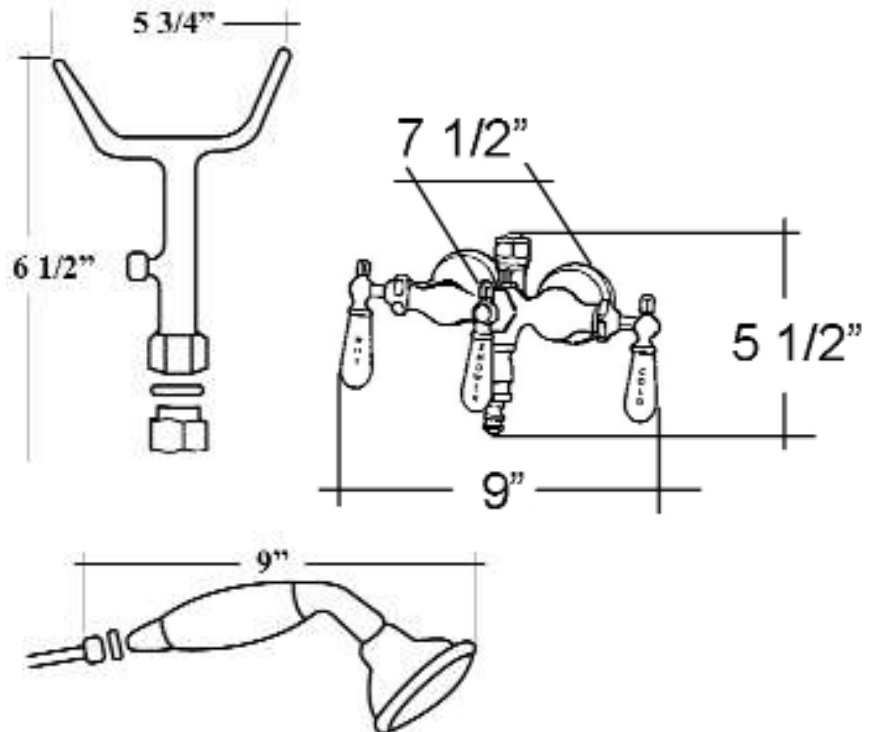
## Features:

- ▶ Old style spigot
- ▶ Handheld shower with cradle and 59" Hose
- ▶ Backflow preventer on handshower
- ▶ 3-3/8" Centers on tub wall
- ▶ Centers can be adjusted out to 9" with use of part #4501 (Swivel arms)
- ▶ 1/4 Turn ceramic disc cartridges
- ▶ Flow rate is 3.8 GPM
- ▶ Flow rate for handshower is 1.8 GPM
- ▶ To be used with double offset bath supplies: part #5576
- ▶ Can be used with freestanding bath supplies part #4502-PL

## Finishes:

CP Polished Chrome  
BP Polished Brass  
SN Brushed Nickel

PN Polished Nickel  
ORB Oil Rubbed Bronze



Dimensions are nominal and may vary. Dimensions and specifications subject to change without notice.