

# TUB FILLER WITH DIVERTER

Cat. No.  
4010

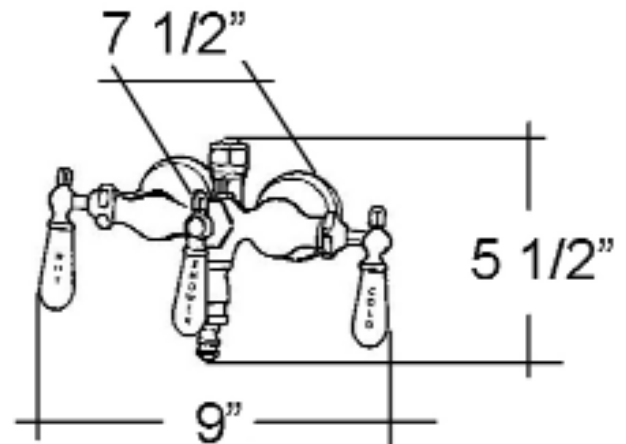


## Features:

- ▶ Old Style Spigot
- ▶ 1/4 Turn Ceramic Disc Cartridges
- ▶ 3-3/8" Centers
- ▶ Centers can be adjusted out to 9" with use of part #4501 (Swivel arms)
- ▶ Flow rate is 3.34 GPM
- ▶ Solid Brass Adjustable Shower Head Included
- ▶ Acrylic Tub Use Only (Part# 4030 for Cast Iron Tub)
- ▶ 4195WS Wall support to be purchased separately
- ▶ To be used with double offset supplies #5576

## Finishes:

<b>CP</b>	Polished Chrome	<b>ORB</b>	Oil Rubbed Bronze
<b>BP</b>	Polished Brass	<b>SN</b>	Brushed Nickel



Riser Height: 62"

Dimensions are nominal and may vary. Dimensions and specifications subject to change without notice.