

TUB FILLER WITH DIVERTER FAUCET

Cat. No.

4001



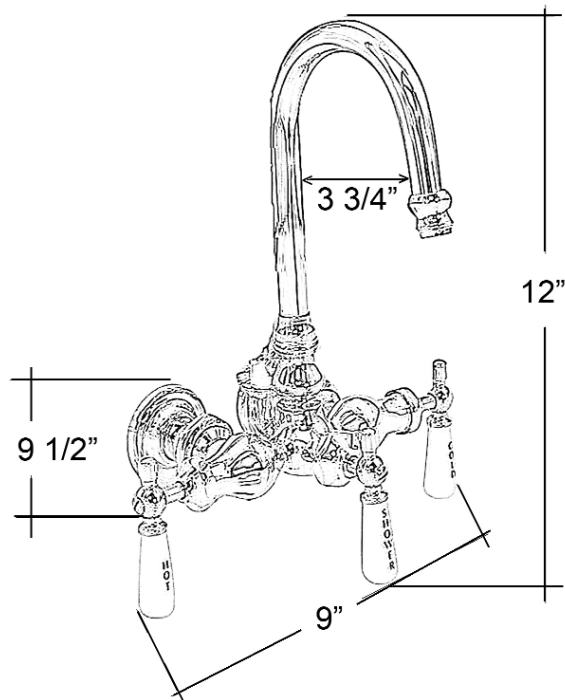
L: 12"
W: 9"
D: 9-1/2"

Features:

- ▶ Constructed of solid brass
- ▶ Code gooseneck spout
- ▶ 1/4 Turn ceramic disc cartridges
- ▶ 3-3/8" Centers
- ▶ 3/4" Nipples
- ▶ Flow rate is 3.68 GPM
- ▶ IAPMO approved
- ▶ Use with cast iron tubs only
(Part# 4000 is for acrylic tubs)
- ▶ To be used with riser #196R (sold Separately)
and a shower rod
- ▶ Should be use with double off set supplies #5576

Finishes:

CP Polished Chrome



Dimensions are nominal and may vary. Dimensions and specifications subject to change without notice.