

**32" WOLCOTT  
CURVED TROUGH SINK**

Cat. No  
TSSSB2118-SS



W: 32-3/4"  
D: 11"  
H: 6-1/2"

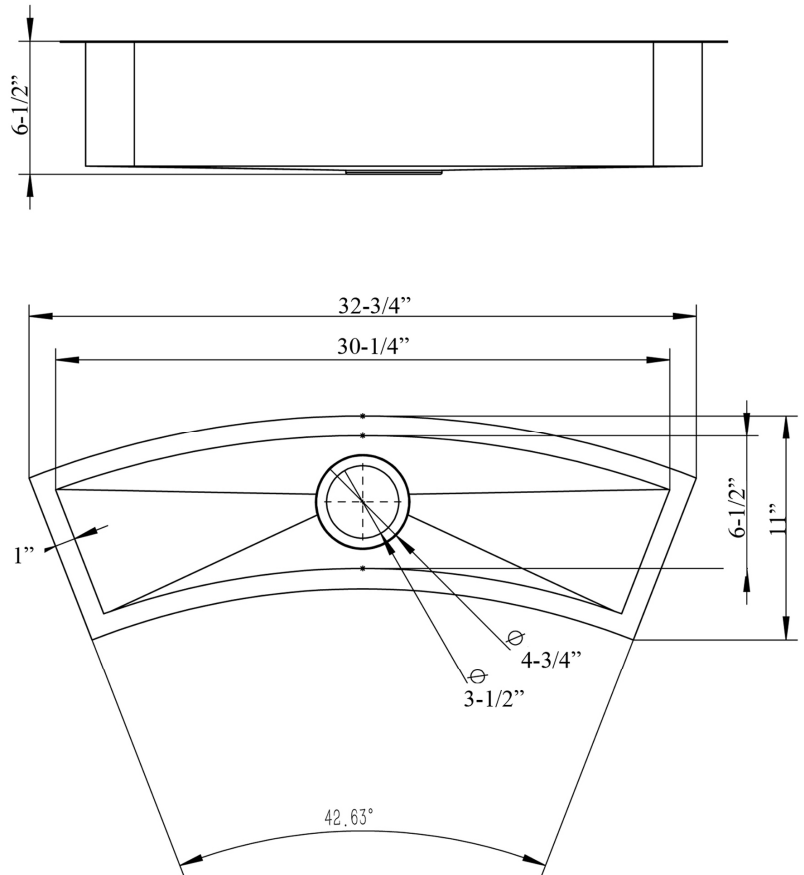
**\*Please do NOT cut hole without  
template or actual product.**

**Interior Dimensions:**

Basin Interior: 30-1/4" W x 6-1/2" D  
Basin Depth: 6"

**Features:**

- ▶ Solid 16 gauge, 304 grade metal construction
- ▶ Zero radius corners
- ▶ Matte finish
- ▶ Lip is 1" wide
- ▶ Insulated for sound reduction
- ▶ Compatible with 3-1/2" drain
- ▶ Drains sold separately



Dimensions of fixture are nominal and may vary within the range of tolerances established by ANSI Standard A112.19.2. Dimensions and specifications subject to change without notice.