

SHOWER
Contemporary Pressure Balancing
Shower Set (Rough & Trim)
G-7230-LM24S

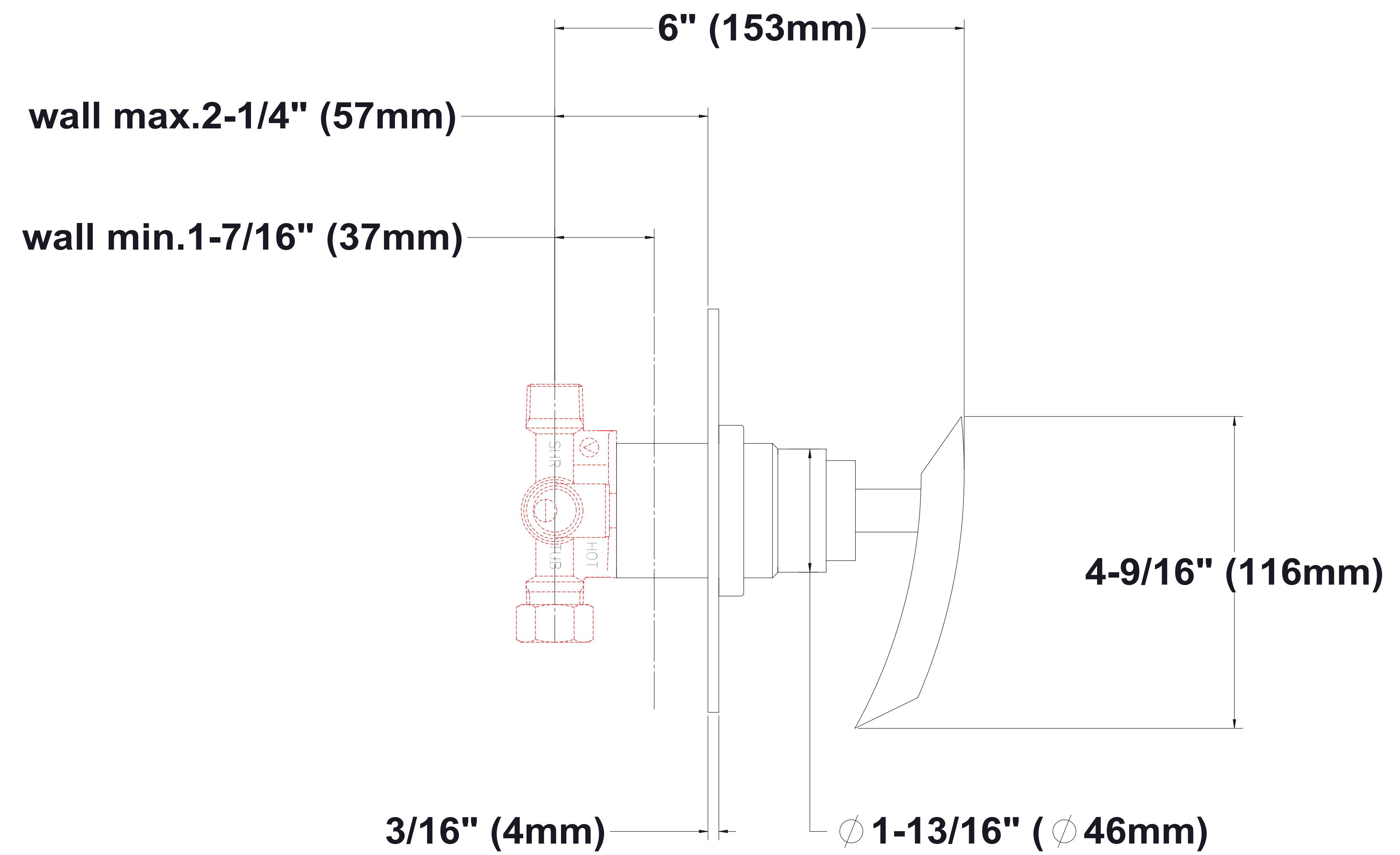
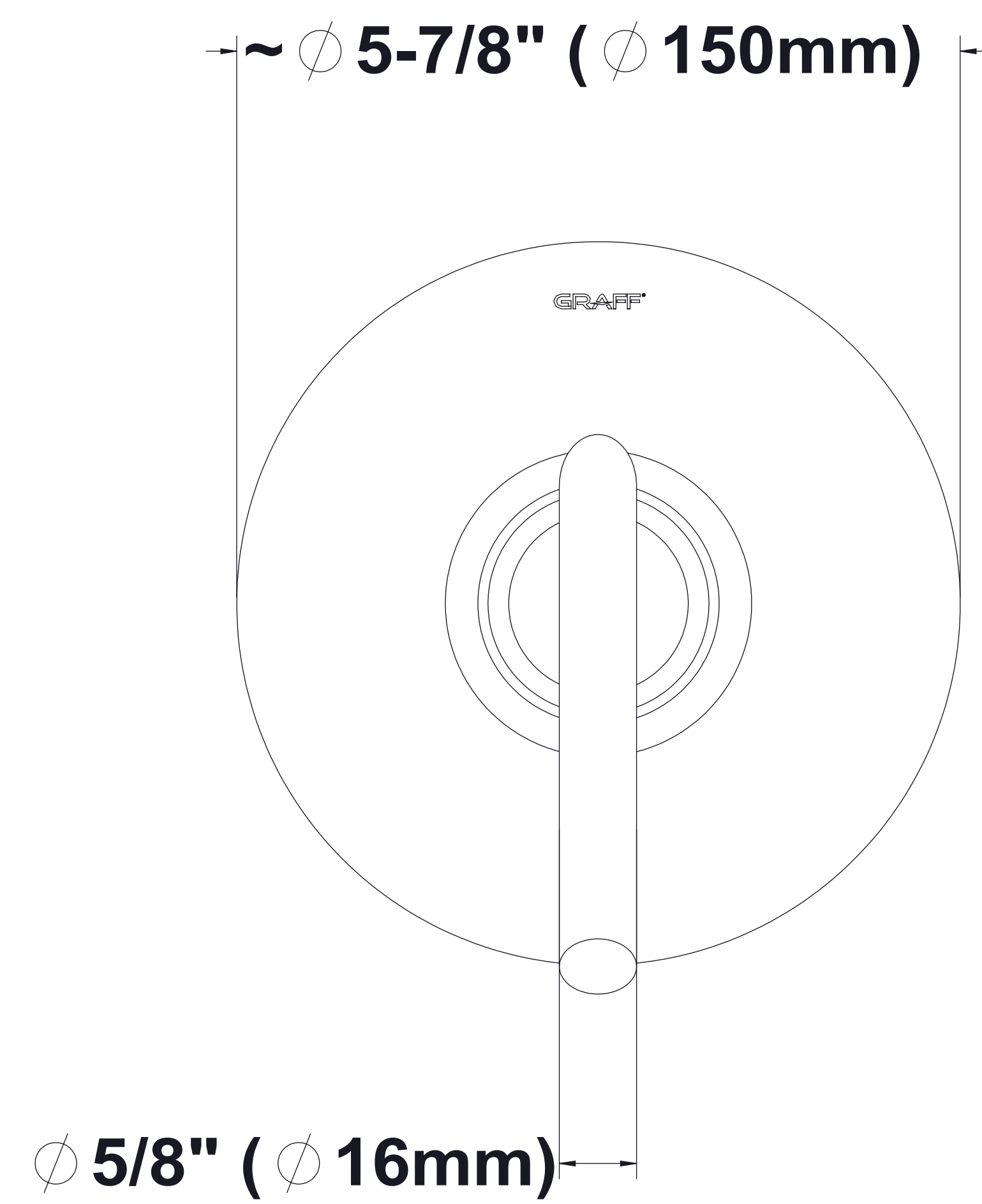
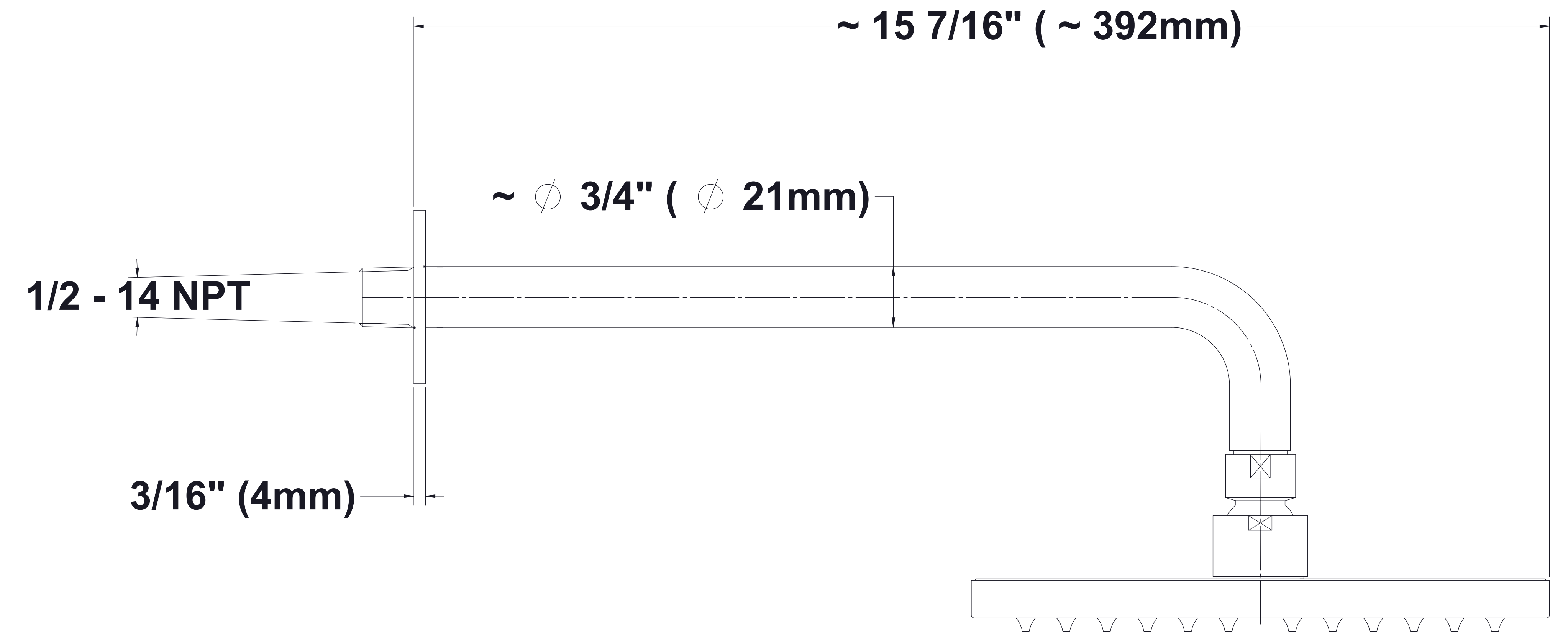
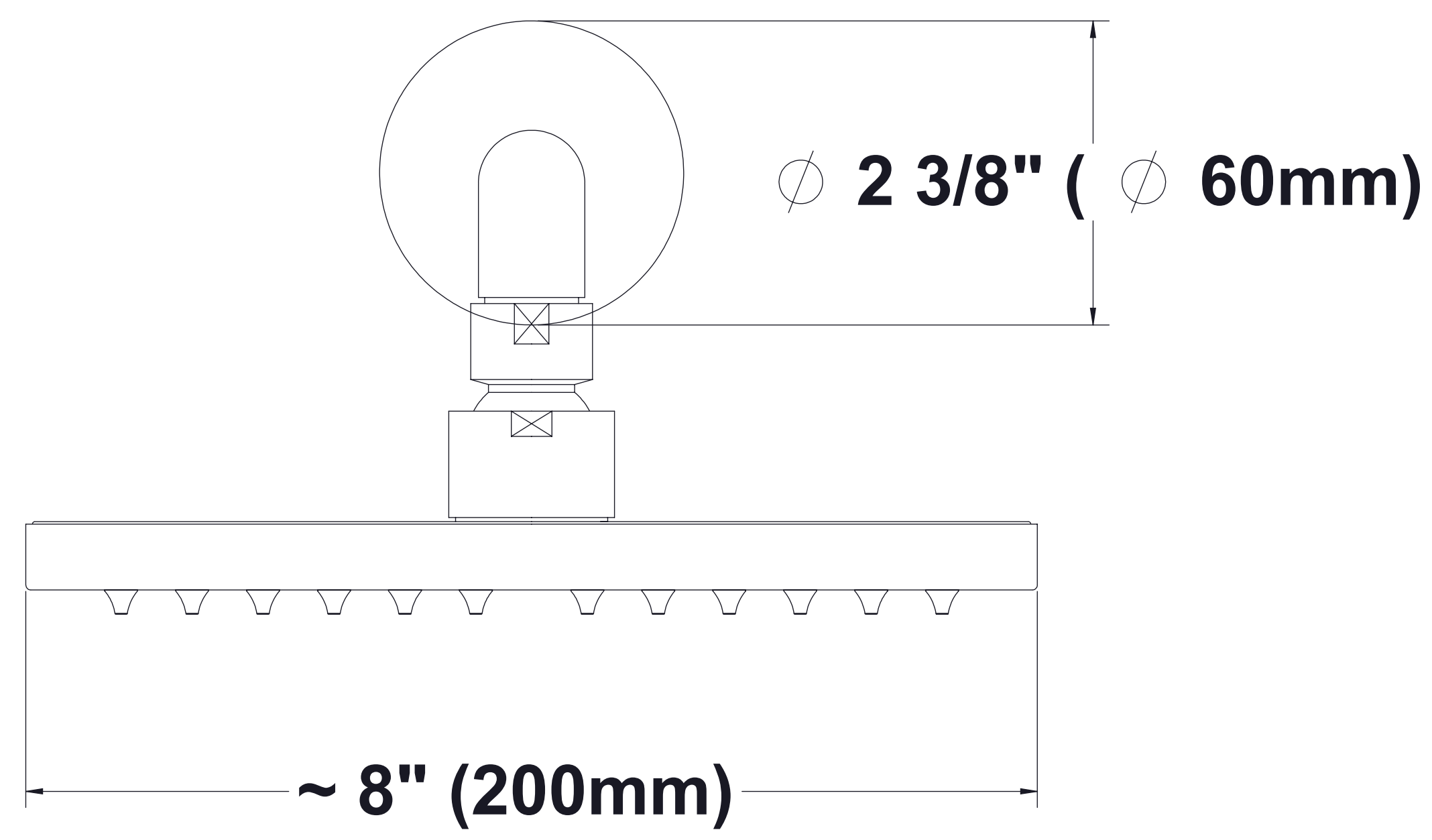
GRAFF[®]



Information

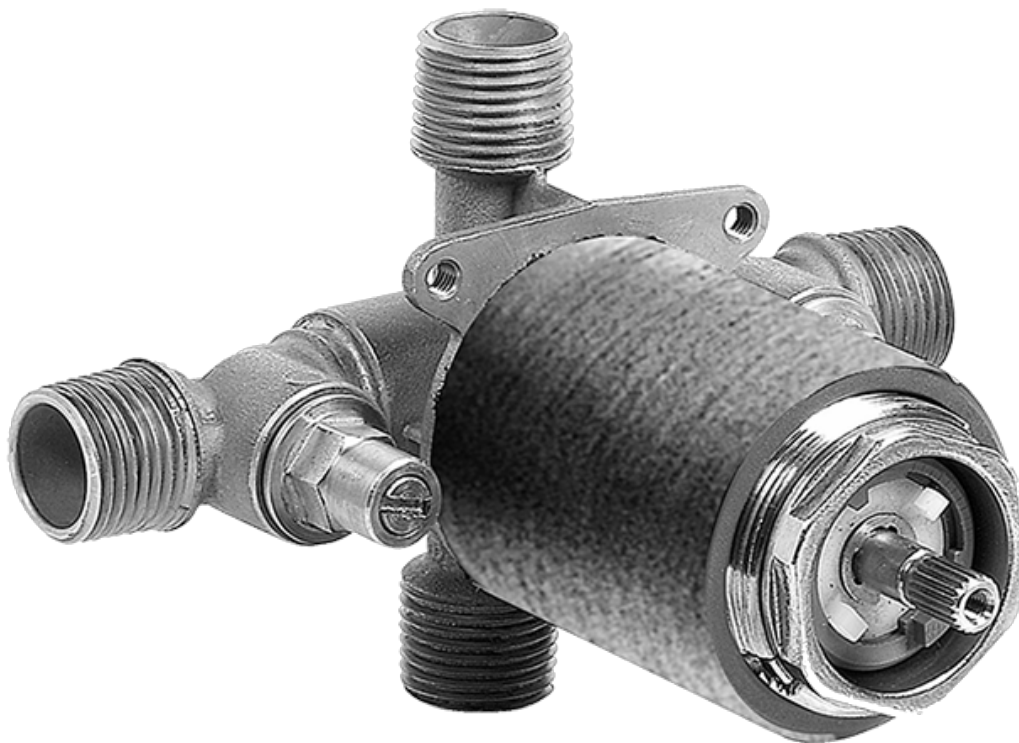
- 1/2" Rough Valve, Trim Plate, and Handle
- 8" Showerhead with 12" Arm & Flange
- Showerhead flow rate ≤ 1.8 max gpm
- Showerhead features no-clog, easy-clean spray nozzles
- Optional extension kit
- 1/2" rough valve flow rate ~ 7.5 gpm @60 psi
- ADA
- CALGreen

G-7230-LM24S



SHOWER
Concealed Pressure Balancing
Valve Rough
G-7005

GRAFF®



Information

- Anti-scald protection
- 1/2" universal inlets/outlets with male threads
- Built-in service stops
- For use with shower only configuration
- Supplied with protective plastic guard

Finishes



Polished
Chrome



Steelnox®
(Satin Nickel)

G-7005

Concealed Pressure Balancing Valve Rough



Product Features

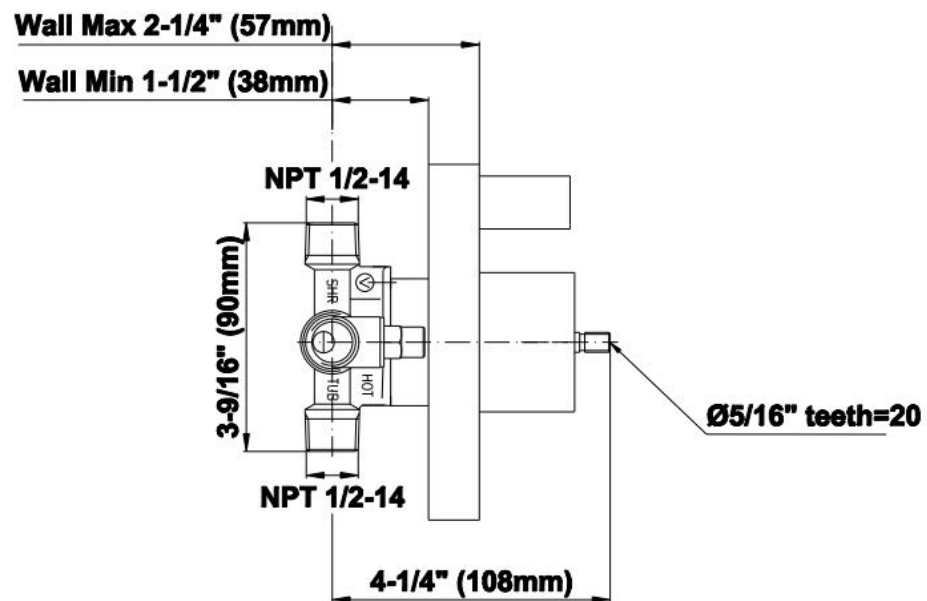
- Anti-scald protection
- 1/2" universal inlets/outlets with male threads
- Built-in service stops
- For use with shower only configuration
- Supplied with protective plastic guard

Warranty

- Limited lifetime warranty

For complete warranty information go to www.graff-faucets.com/en/info/faqs

Pressure Balance Rough G-7005



The measurements shown are for reference only. Products and specifications shown are subject to change without notice. Revised 7/2017.

www.graff-faucets.com | phone: 800-954-4723

SHOWER
Tranquility SOLID Trim Plate
w/Handle
G-7030-LM24S-T

GRAFF®



Information

- Single metal lever handle
- Decorative trim plate
- Use with G-7005 pressure balancing rough valve for shower-only configurations
- To complete package, you must order rough valve
- ADA

Finishes

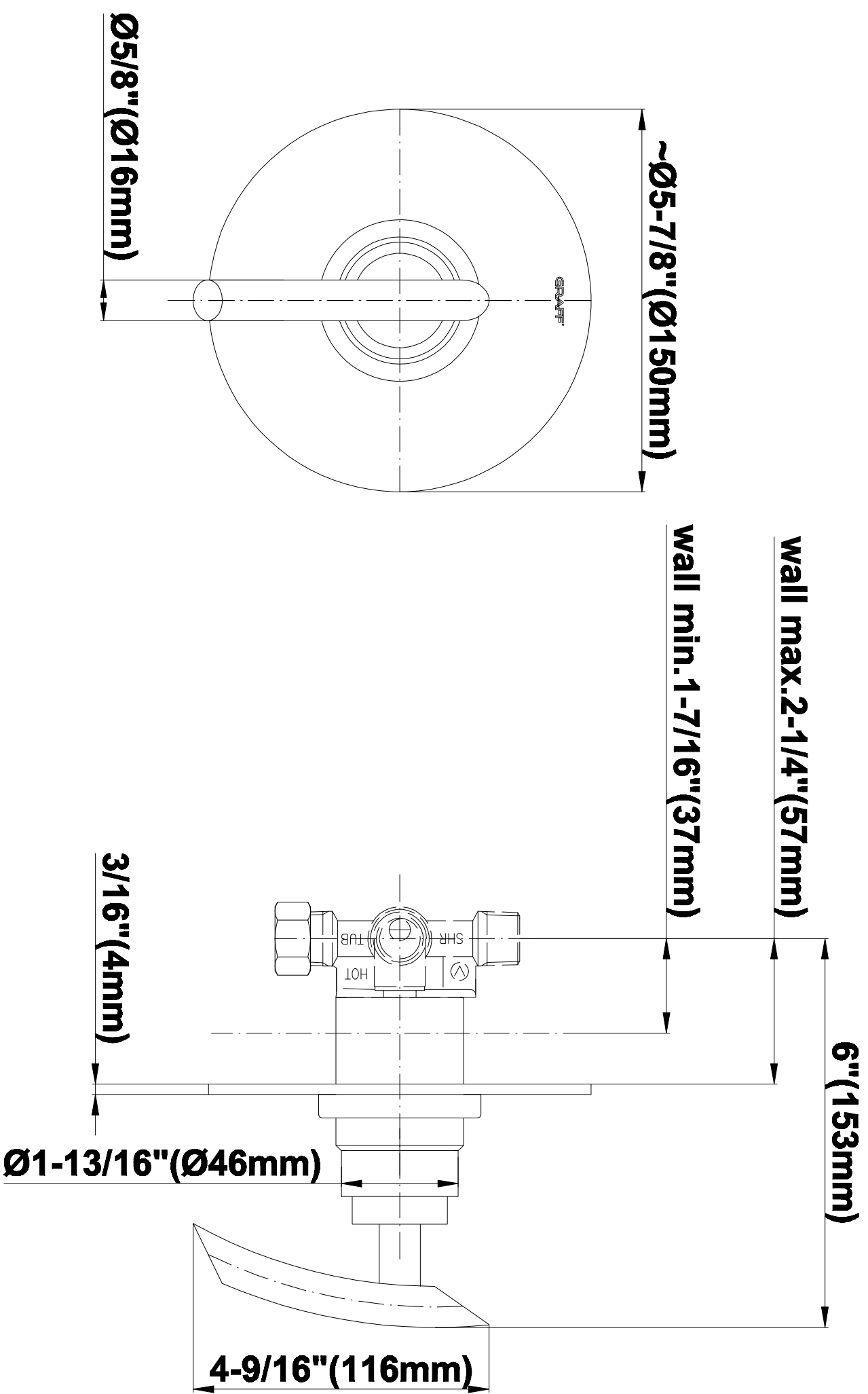


Polished
Chrome



Steelnox®
(Satin Nickel)

G-7030



SHOWER
8" Round Brass Showerhead
G-8449

GRAFF[®]



Information

- 1/4" thick
- 169 no-clog, easy-clean rubber spray nozzles
- Recommended use with ceiling shower arm
- Recommended for use at no more than 10 degrees tilt
- Showerhead flow rate ≤ 1.8 max gpm
- CALGreen

Finishes



Polished
Chrome



Steelnox[®]
(Satin Nickel)

G-8449

Aqua-Sense Collection
Contemporary 8" Round Showerhead



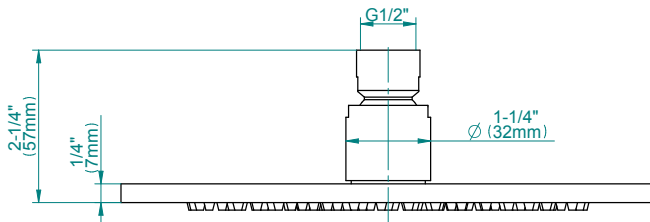
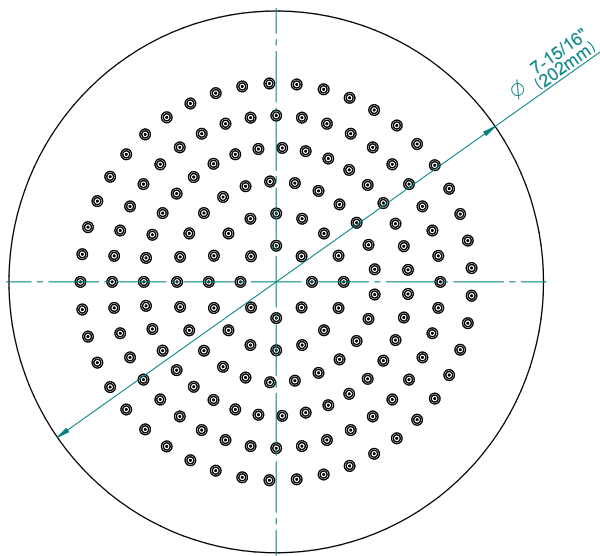
Product Features

- 1/4" thick
- 169 no-clog, easy-clean rubber spray nozzles
- Showerhead flow rate ≤ 1.8 max gpm

Available Finishes

- Polished Chrome
G-8449-PC
- Brushed Nickel
G-8449-PN
- Polished Nickel
G-8449-BNi
- Unfinished Brass*
G-8449-UB*
- Steinox
G-8449-SN
- Olive Brass*
G-8449-OB*
- Architectural Black with Chrome Accents*
G-8449-PC/BK*
- Brushed Gold*
G-8449-BAU

* Special order finish- call for availability



Code Compliance

- CALGreen

Warranty

- Limited lifetime warranty

For complete warranty information go to www.graff-designs.com/en-nam/warranty

The measurements shown are for reference only. Products and specifications shown are subject to change without notice. Revised 12/2017

www.graff-designs.com | phone: 800-954-4723

SHOWER
Contemporary 12" Shower Arm
G-8503

GRAFF[®]



Information

- Includes arm and solid round flange
- 1/2" NPT male thread inlet
- For use with all showerheads

Finishes



Polished
Chrome



Steelnox[®]
(Satin Nickel)

G-8503

Shower Components

Contemporary 12" Shower Arm

GRAFF®



Product Features

- Includes arm and round flange
- 1/2" NPT male thread inlet
- For use with all showerheads

Warranty

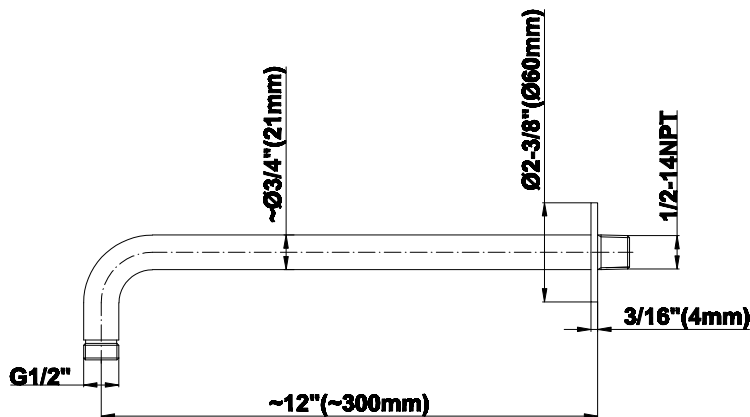
- Limited lifetime warranty

For complete warranty information go to www.graff-designs.com/en-nam/warranty

Available Finishes

- Polished Chrome
G-8503-PC
- Polished Nickel
G-8503-PN
- Brushed Nickel
G-8503-BNi
- Unfinished Brushed Brass*
G-8503-UBB*
- Unfinished Brass*
G-8503-UB*
- Matte Black*
G-8503-MBK*
- Architectural Black*
G-8503-BK*
- Architectural White*
G-8503-WT*
- Steelnox (Satin Nickel)*
G-8503-SN*
- Olive Brass*
G-8503-OB*
- Gunmetal*
G-8503-GM*
- Vintage Brushed Brass*
G-8503-VBB*
- OR'osa PVD*
G-8503-RG*
- Brushed OR'osa PVD*
G-8503-BRG*
- Onyx PVD*
G-8503-OX*
- Brushed Onyx PVD*
G-8503-BOX*
- Polished Brass PVD*
G-8503-PB*
- Brushed Brass PVD*
G-8503-BB*
- 24K Brushed Gold*
G-8503-BAU*
- 24K Gold*
G-8503-AU*
- Gunmetal Distressed*
G-8503-GMD*

* Special order finish- call for availability



The measurements shown are for reference only. Products and specifications shown are subject to change without notice. Revised 10/2019

www.graff-designs.com | phone: 800-954-4723