



see what Delta can do™

# SHOWERHEAD

## ■ 5-Spray Setting Showerhead

### FEATURES:

- Touch-Clean® Nozzles

### STANDARD SPECIFICATIONS:

- ABS Showerhead with five settings - pause is a non-positive shut-off
- Maximum 1.75 gpm @ 80 psi, 6.6 L/min @ 550 kPa
- Standard 1/2" pipe fitting
- The ball swivel angle is 20° (10° per side)
- Easy-turn spray dial

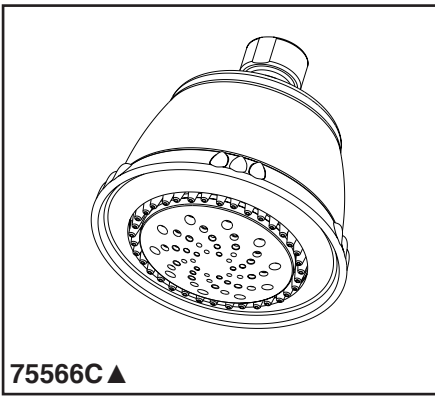
### WARRANTY

- Lifetime limited warranty on parts (other than electronic parts and batteries) and finishes; or, for commercial users, for 5 years from the date of purchase.
- 5 year limited warranty on electronic parts (other than batteries); or for commercial users, for 1 year from the date of purchase. No warranty is provided on batteries.



### COMPLIES WITH

- ASME A112.18.1 / CSA B125.1
- EPA WaterSense®

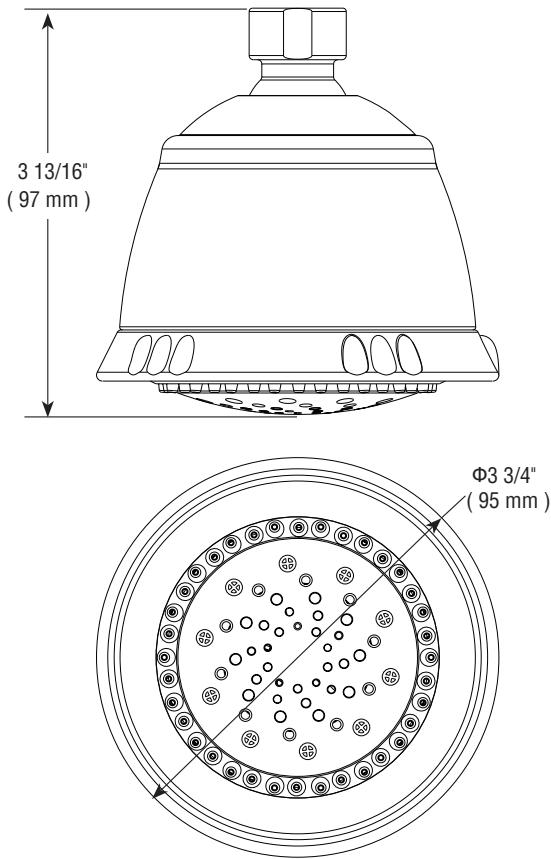


75566C ▲

Submitted Model No.: \_\_\_\_\_

Specific Features: \_\_\_\_\_

75566C ▲ 1.75 GPM



-  Full Body Spray
-  Massage Spray
-  Full Spray w/ Massage
-  Soft Drenching Spray
-  Pause

▲ Designate proper finish suffix

Delta reserves the right (1) to make changes in specifications and materials, and (2) to change or discontinue models, both without notice or obligation. Dimensions are for reference only. See current full-line price book or [www.deltafaucet.com](http://www.deltafaucet.com) for finish options and product availability.